

Operating Guide

RA-N with Zinc Ring Dismantle tool



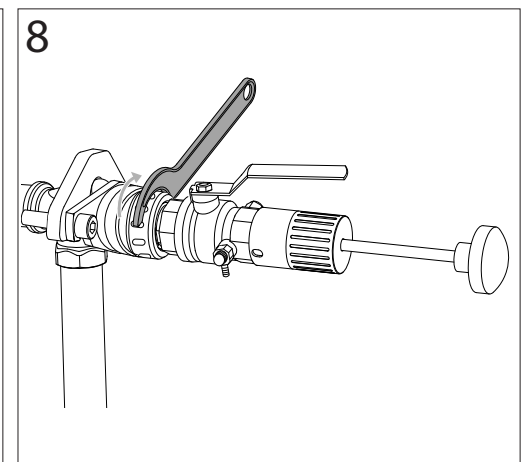
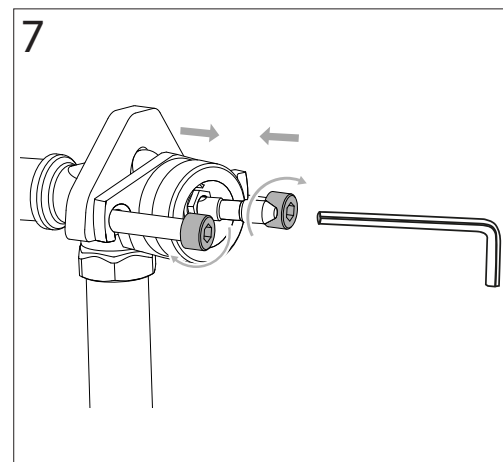
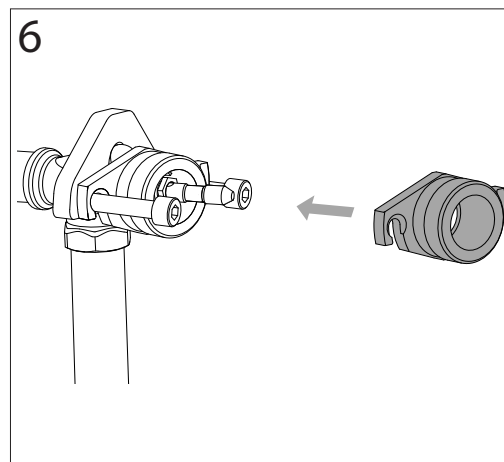
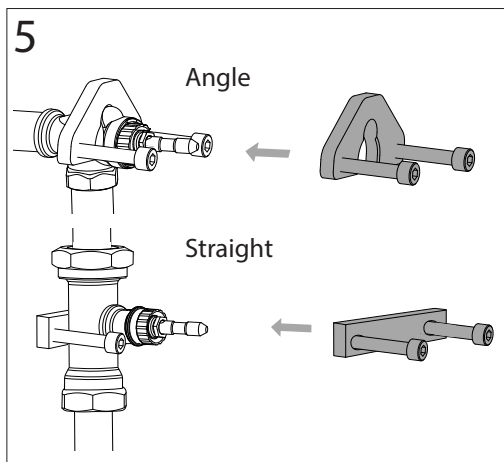
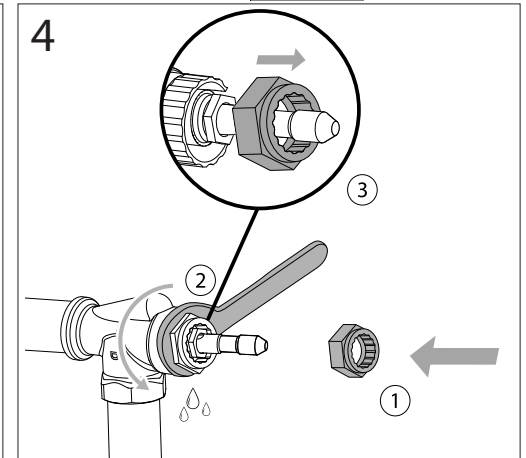
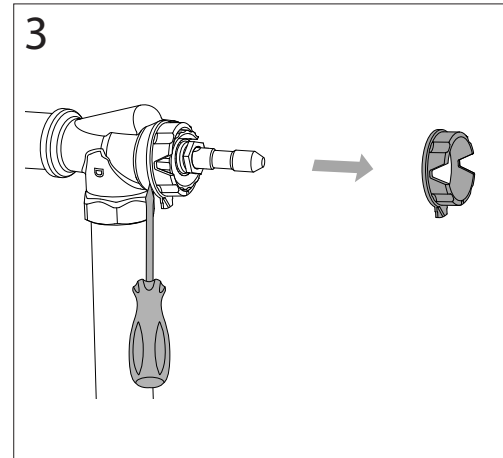
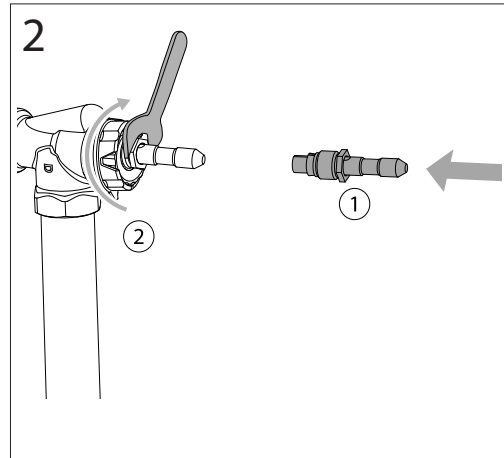
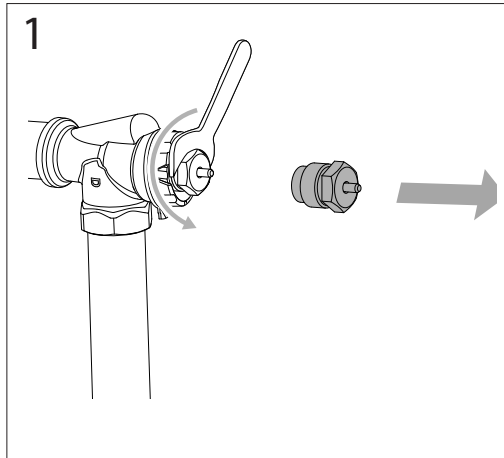
Shut down the system temperature to a max 40°C
Turn OFF the pump before starting, max 3 bar pressure.

RA-N with Zinc Ring service set
RA-N with Zinc Ring service set

013G3065
013G3064



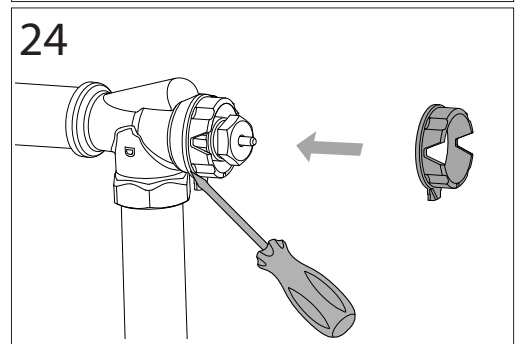
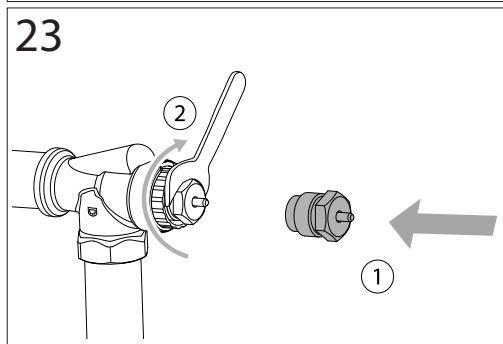
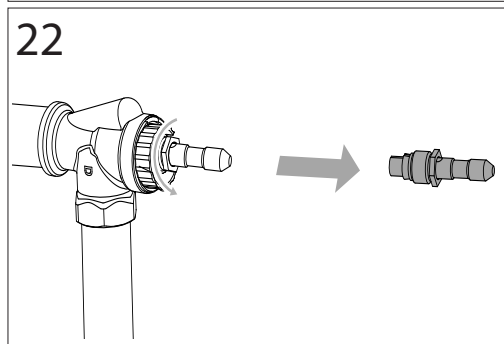
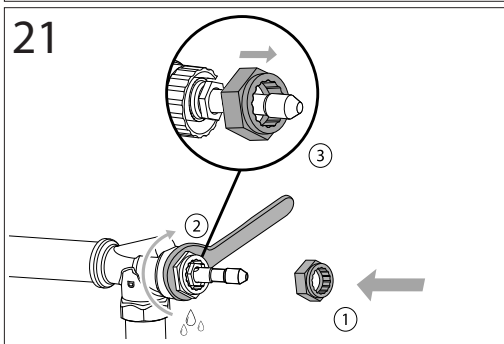
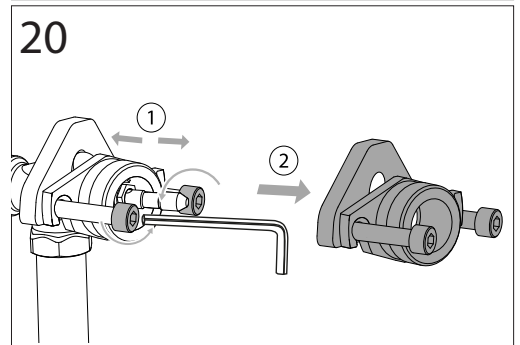
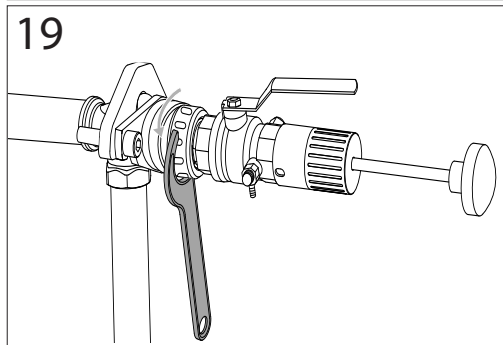
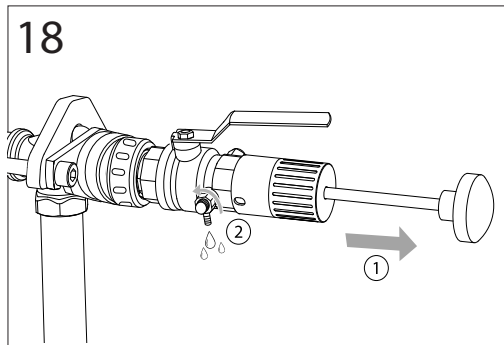
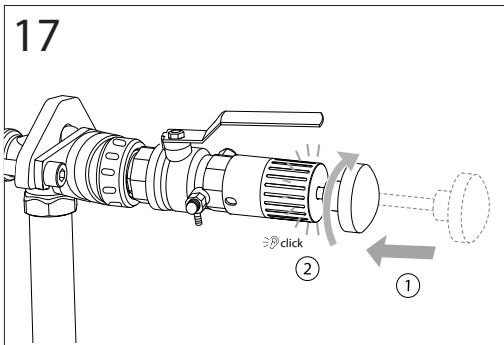
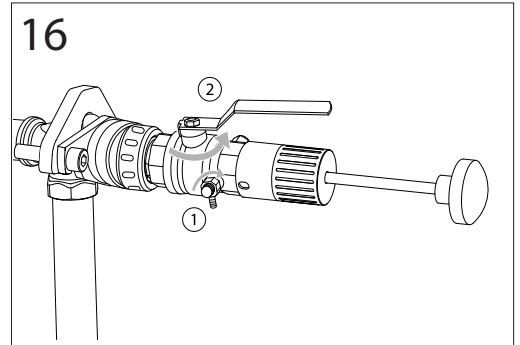
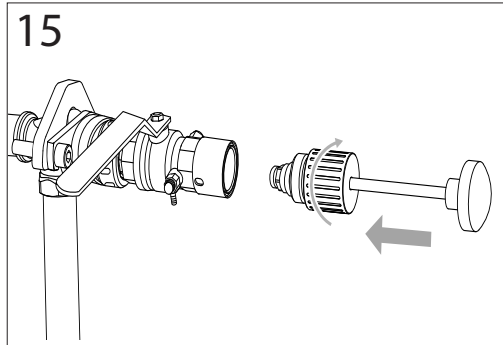
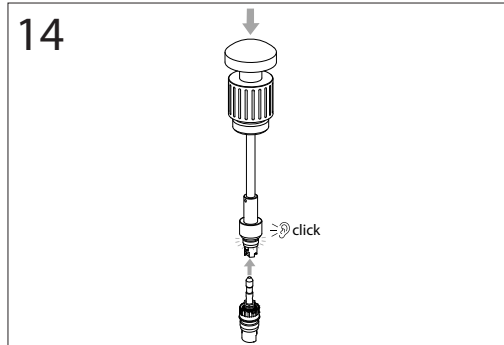
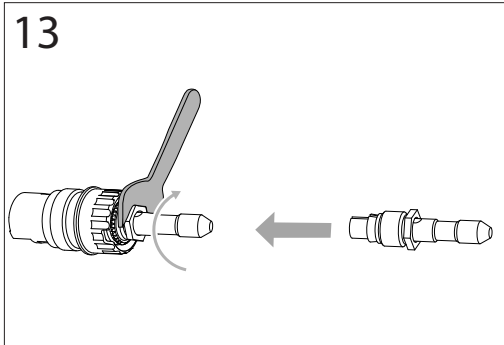
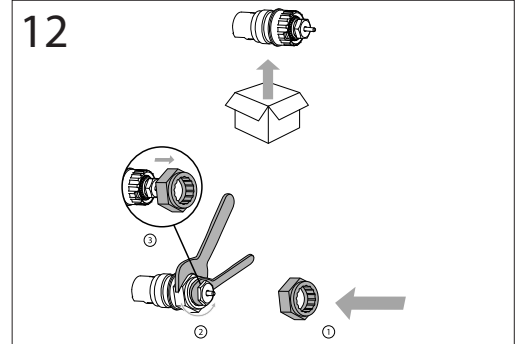
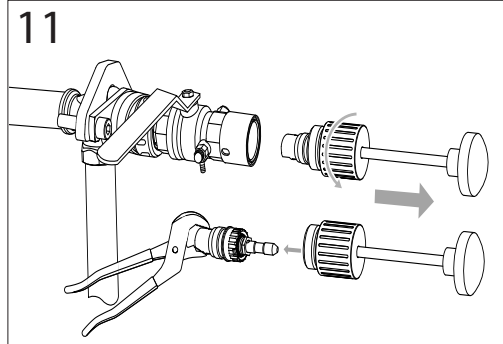
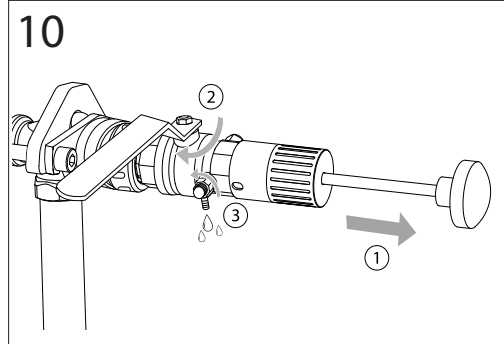
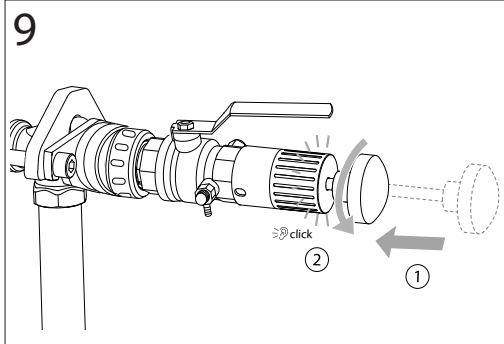
1



Danfoss A/S
Climate Solutions • danfoss.com • +45 7488 2222

Any information, including, but not limited to information on selection of product, its application or use, product design, weight, dimensions, capacity or any other technical data in product manuals, catalogues descriptions, advertisements, etc and whether made available in writing, orally, electronically, online, or via download, shall be considered informative, and is only binding if and to the extent, explicit reference is made in a quotation or order conformation. Danfoss cannot accept any responsibility for possible errors in catalogues, brochures, videos, and other material. Danfoss reserves the right to alter its products without notice. This also applies to products ordered but not delivered provided that such alterations can be made without changes to the form, fit or function of the product. All trademarks in this material are property of Danfoss A/S or Danfoss group companies. Danfoss and the Danfoss logo are trademarks of Danfoss A/S. All rights reserved.

RA-N with Zinc Ring Dismantle tool (Cont.)



Operating Guide

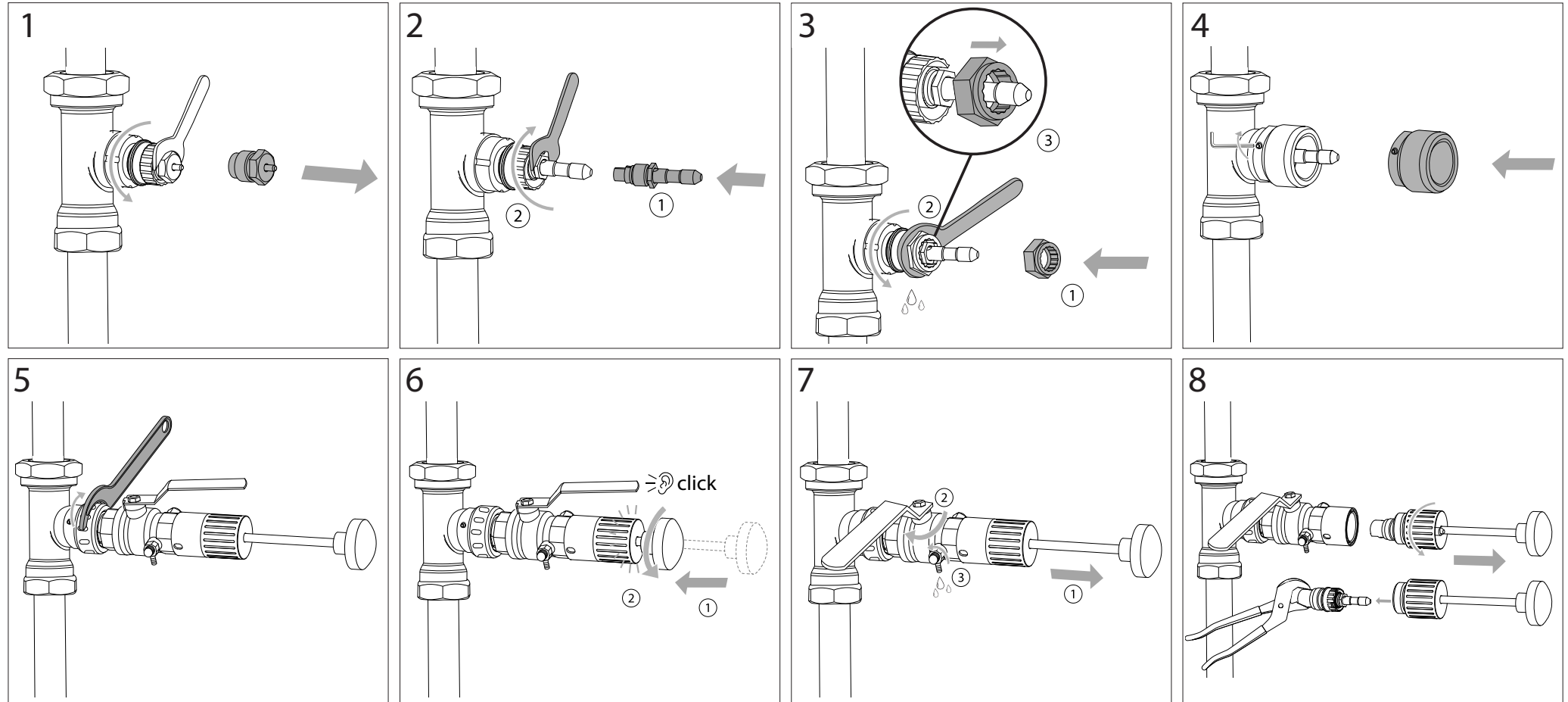
RA-N/ RA-FN Dismantle tool

Shut down the system temperature to a max 40°C
Turn OFF the pump before starting, max 3 bar pressure.

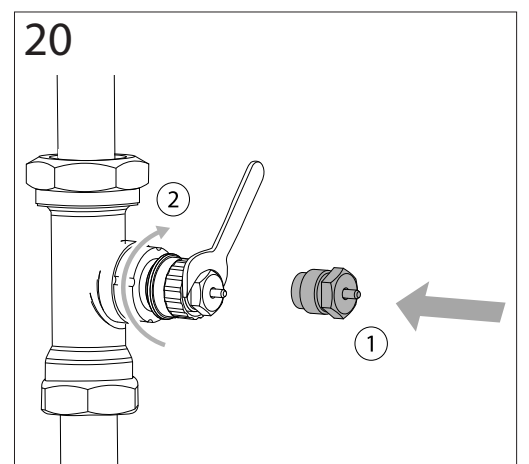
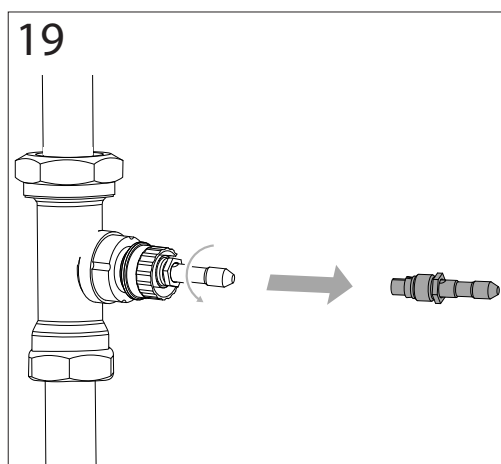
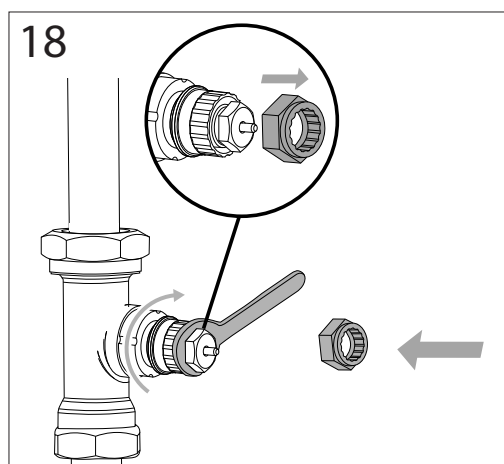
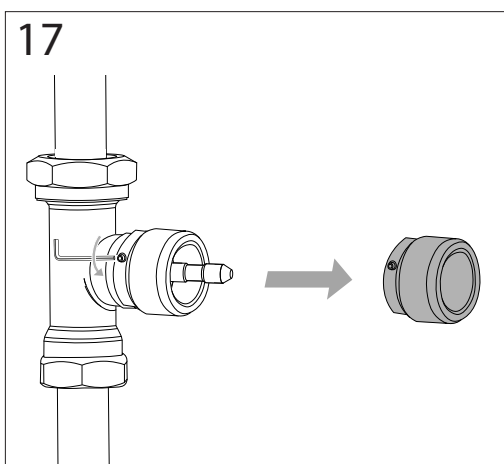
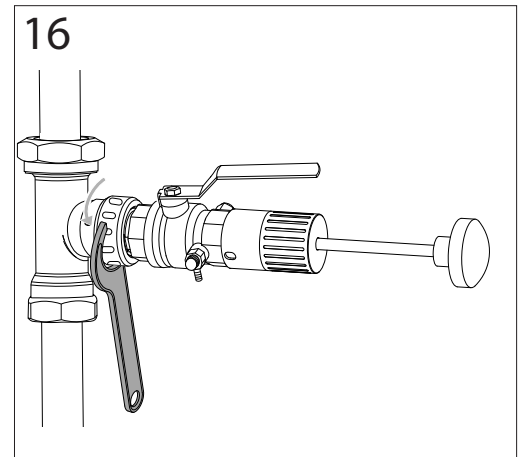
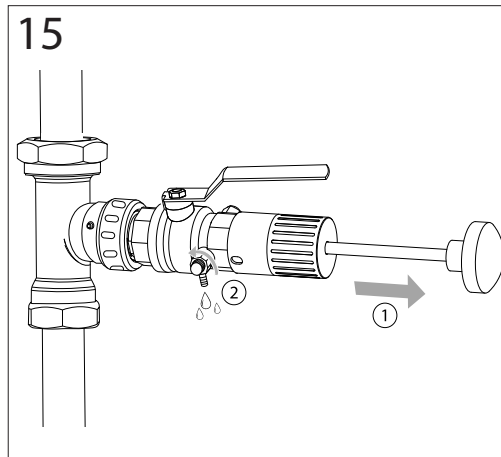
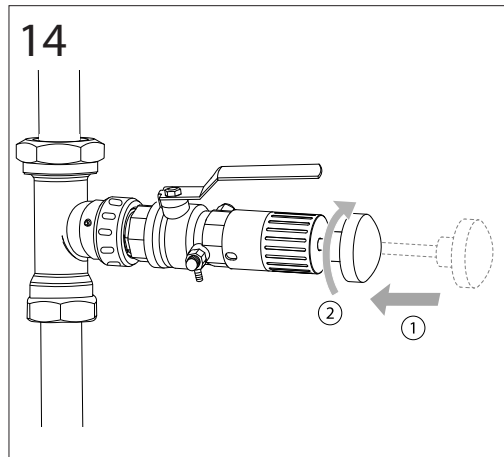
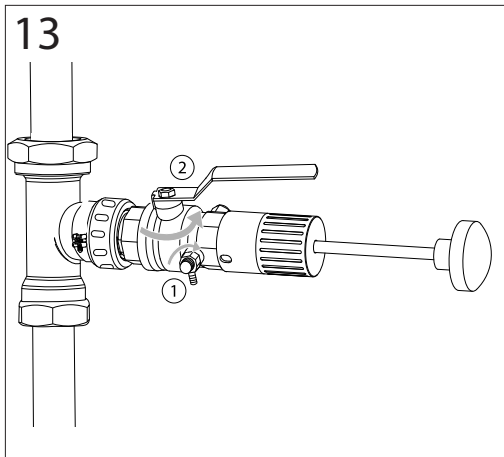
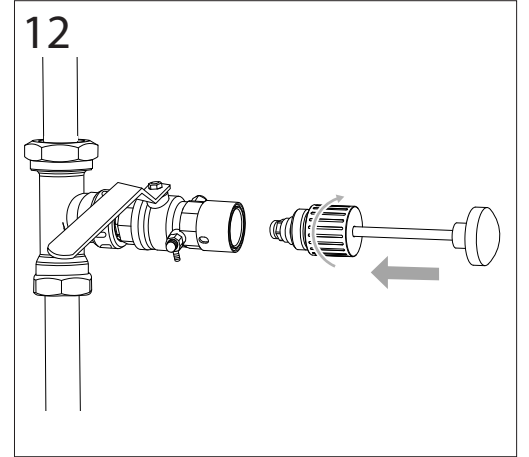
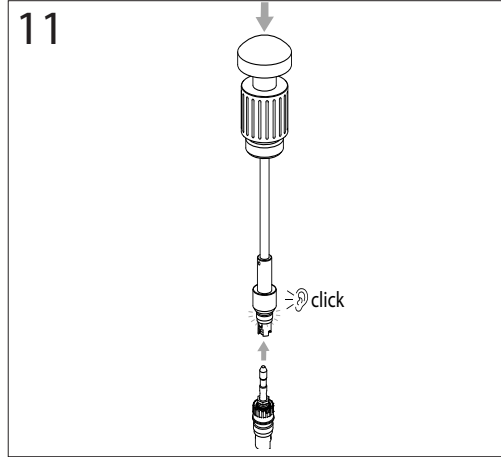
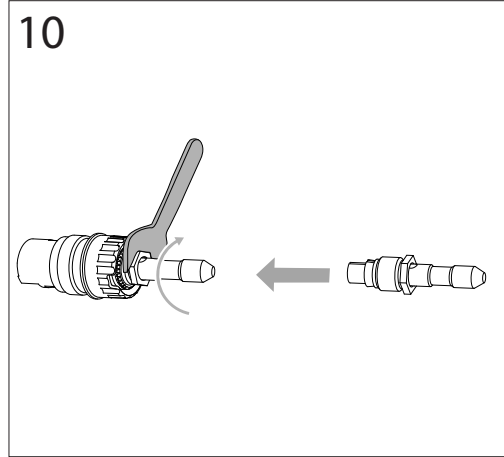
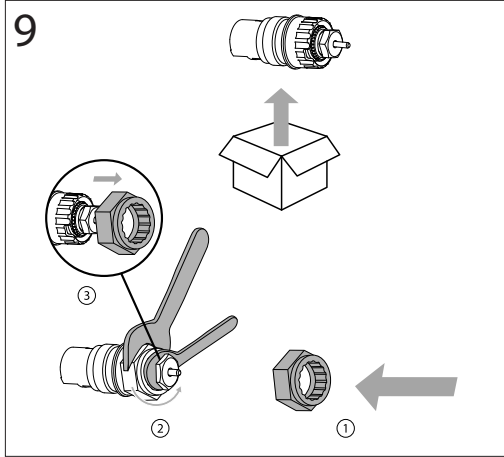
RA-N valve insert DG and angle $\frac{3}{8}$ and $\frac{1}{2}$ " 013G3063
 RA-N valve insert UK $\frac{3}{8}$ and $\frac{1}{2}$ " 013G3065
 RA-N valve insert DG and angle $\frac{3}{4}$ " 013G3064
 RA-N valve insert DG and angle $\frac{3}{8}$, $\frac{1}{2}$, $\frac{3}{4}$ " 013G3066



2



RA-N/ RA-FN Dismantle tool (Cont.)

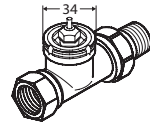


Operating Guide

RAV Dismantle tool



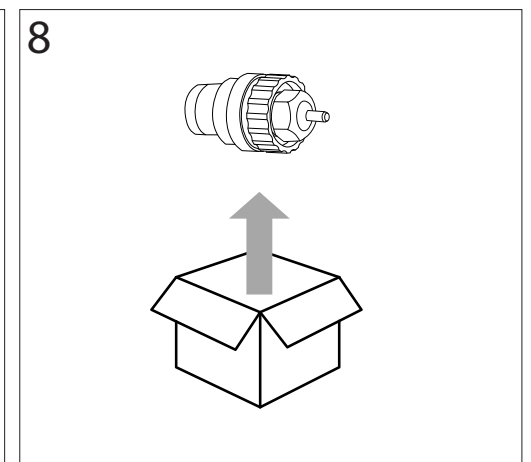
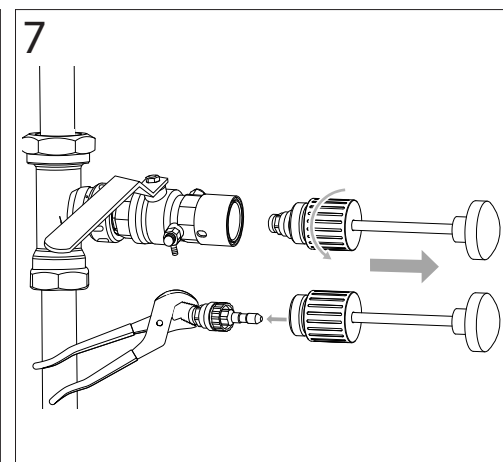
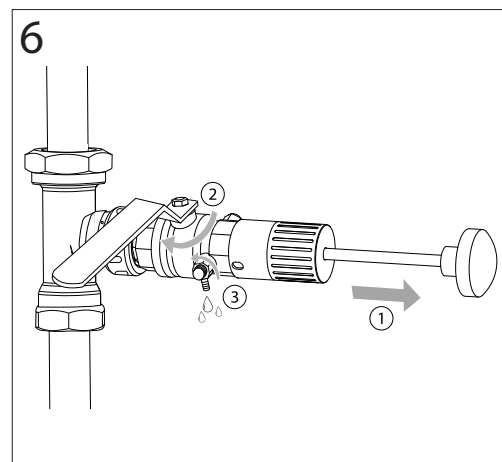
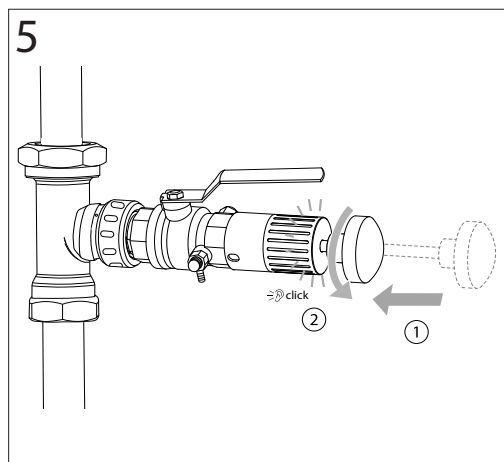
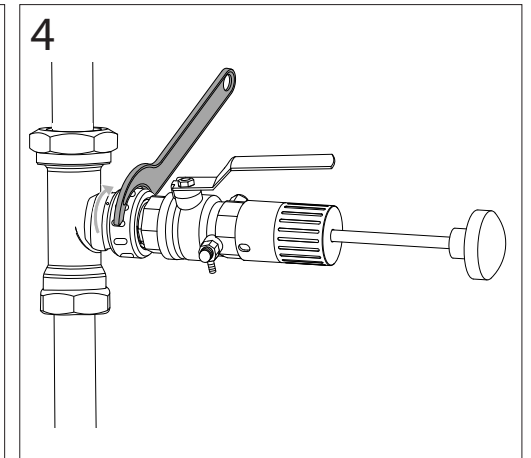
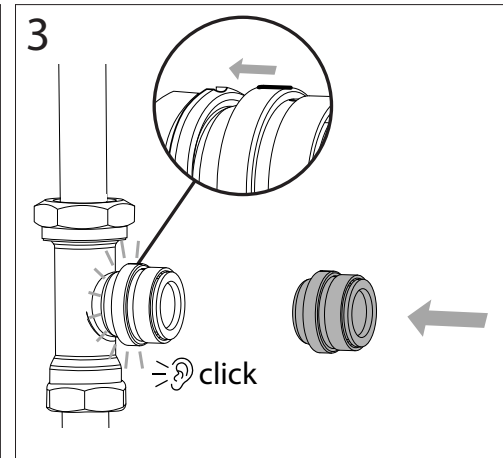
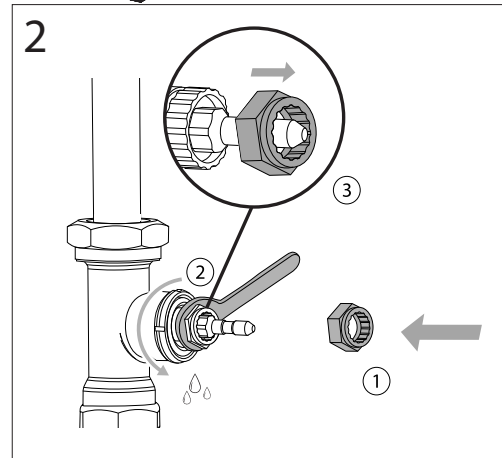
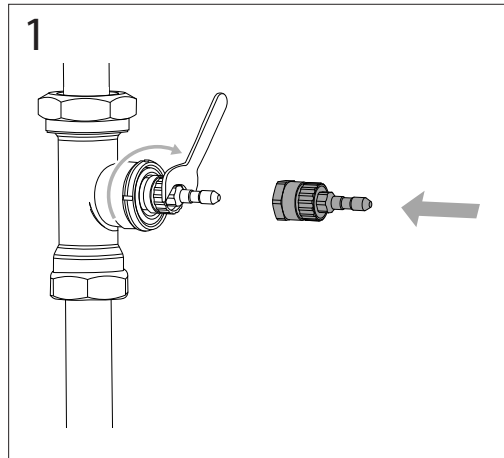
Shut down the system temperature to a max 40°C
Turn OFF the pump before starting, max 3 bar pressure.



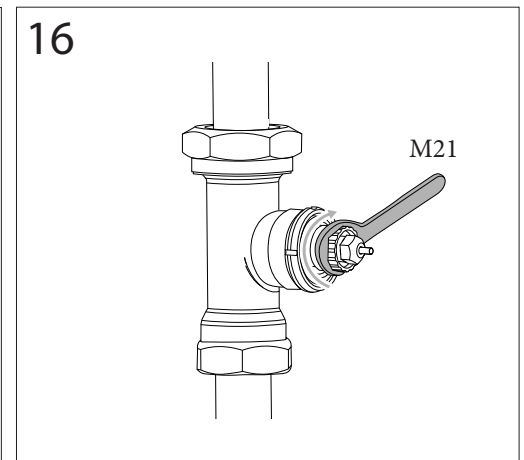
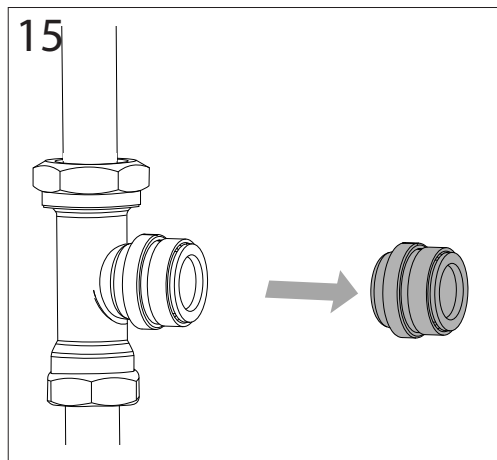
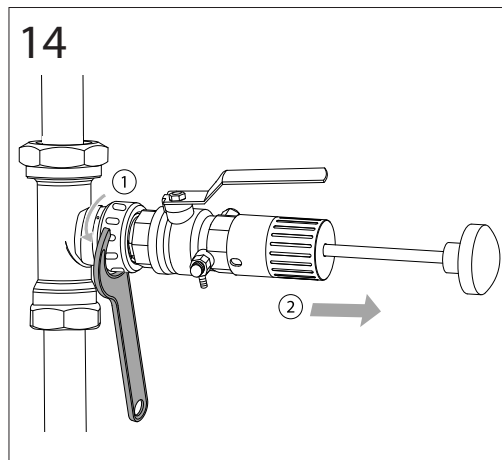
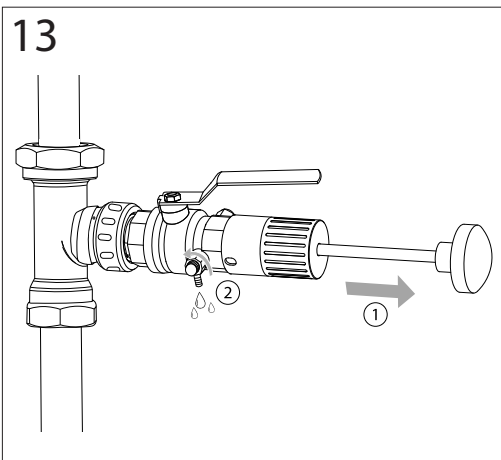
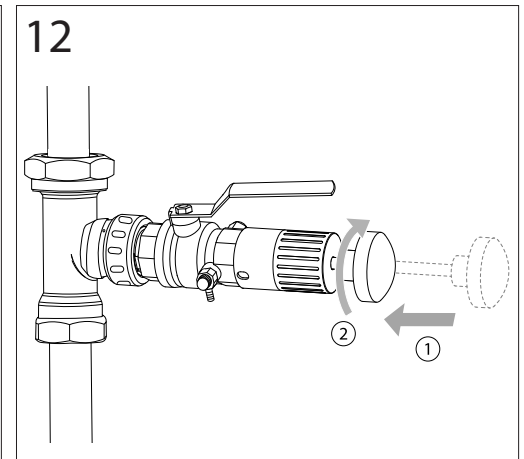
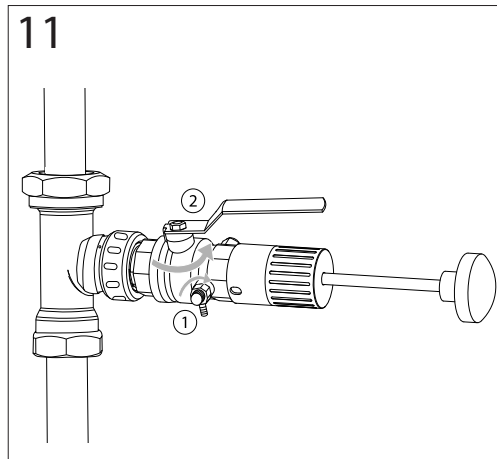
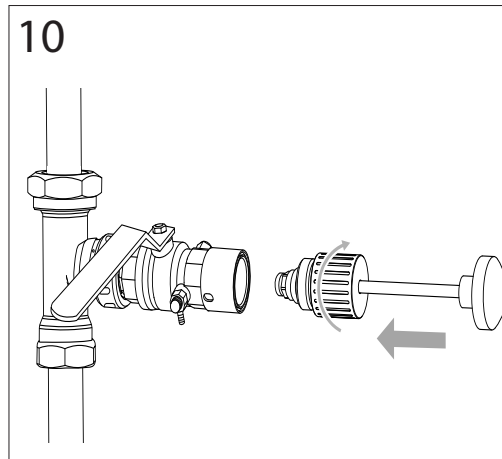
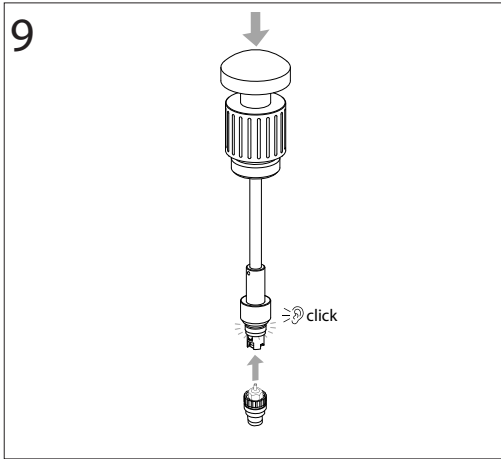
RAV pre-settable valve insert $\frac{3}{8}$, $\frac{1}{2}$ and $\frac{3}{4}$ " 013G4013
RAV valve insert $\frac{3}{8}$ and $\frac{1}{2}$ " 013U0252
RAV valve insert $\frac{3}{4}$ " 013U0253



3



RAV Dismantle tool (Cont.)

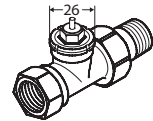


Operating Guide

RAVL Dismantle tool

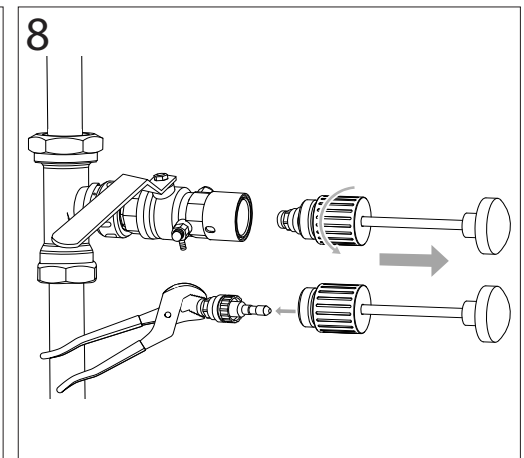
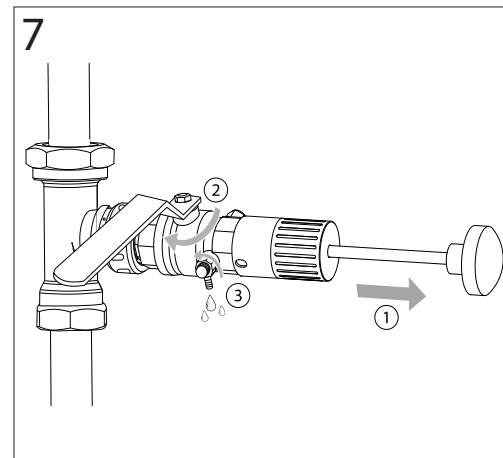
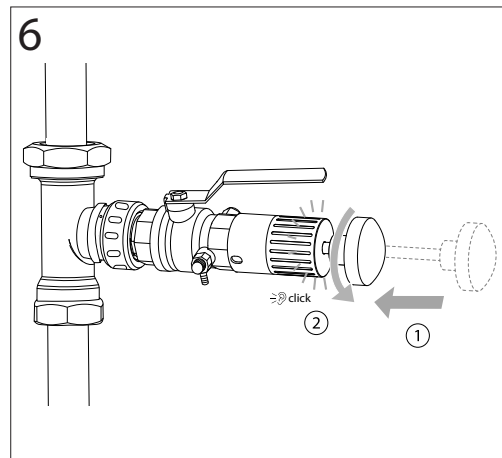
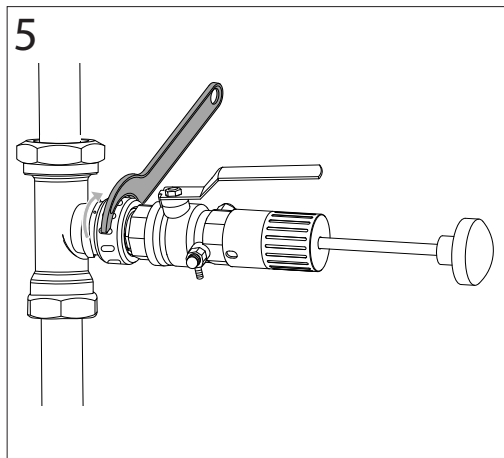
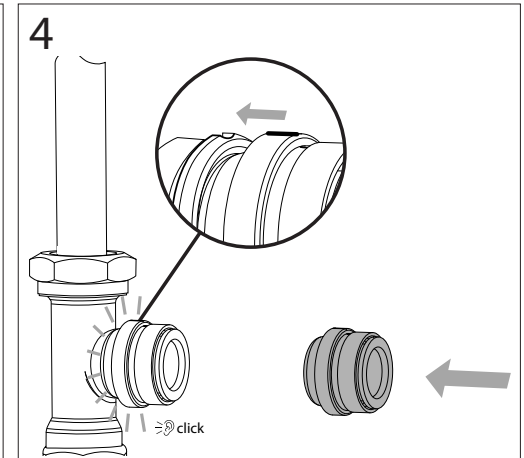
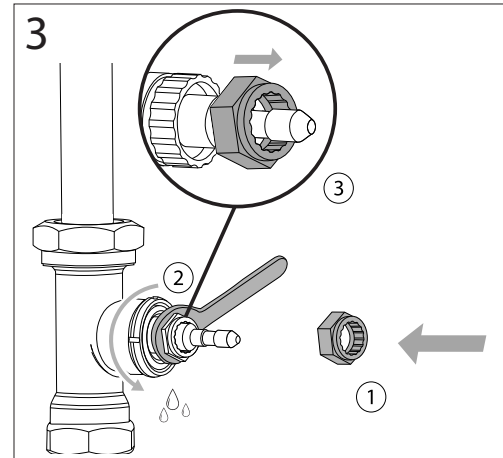
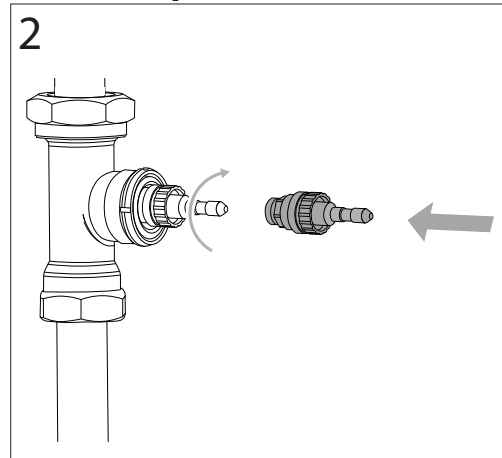
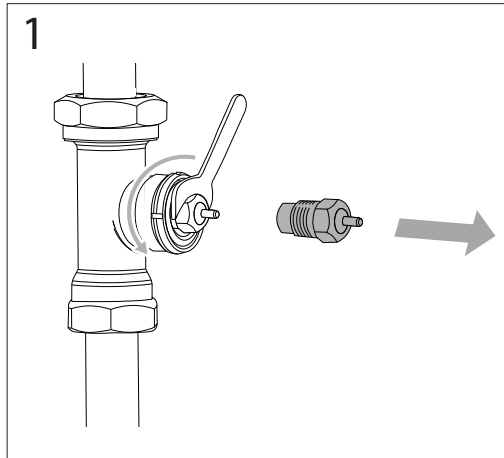


Shut down the system temperature to a max 40°C
Turn OFF the pump before starting, max 3 bar pressure.



RAVL pre-settable valve insert $\frac{3}{8}$ " and $\frac{1}{2}$ "
RAVL pre-settable valve insert $\frac{3}{4}$ "
RAVL valve insert $\frac{3}{8}$ "
RAVL valve insert $\frac{1}{2}$ " and $\frac{3}{4}$ "

013G4011
013G4012
013L0248
013L0249



RAVL Dismantle tool (Cont.)

