



www.esbe.se

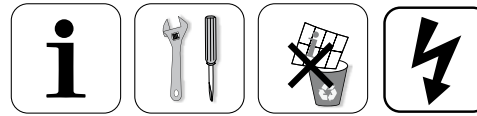


SERIES ARA600 2-Point



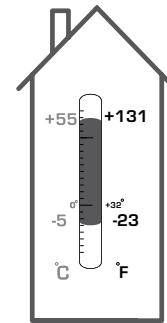
NO.1 IN HYDRONIC SYSTEM CONTROL

Mtrl.nr. 9814 03 32 • Ritn.nr. 9175 utg.A • Rev. 0904

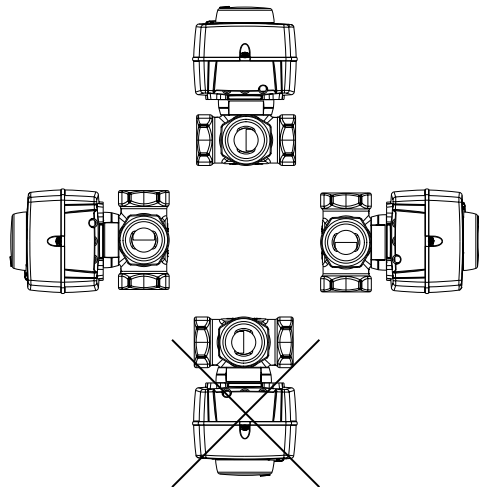


Series ARA638
Series ARA648

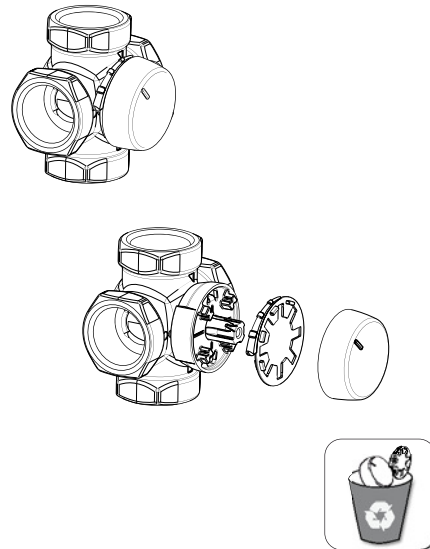
CE
LVD 2006/95/EC
EMC/2004/108/EC
RoHS 2002/95/EEC



1

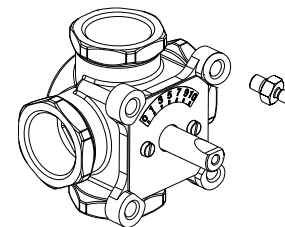


2



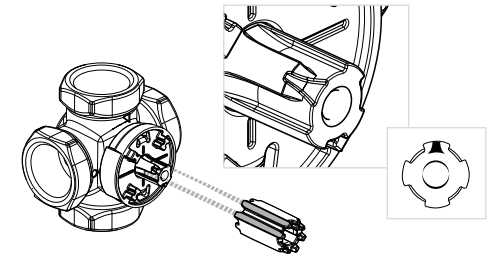
3

	DN15-25	
	DN20-40	
	DN50	

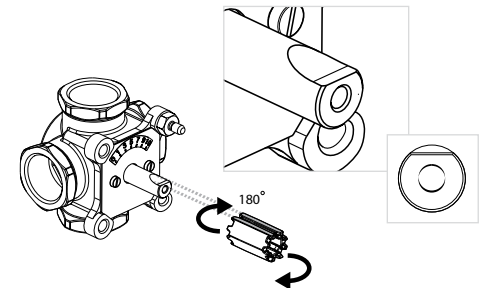


4

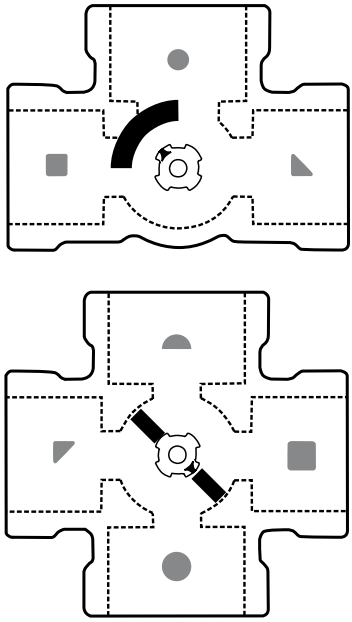
VRG130, VRG140, VRG230, VRB140



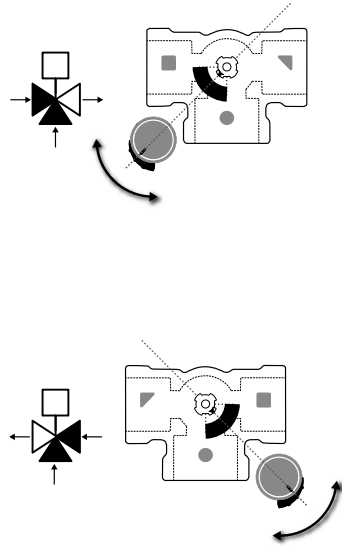
MG, G,



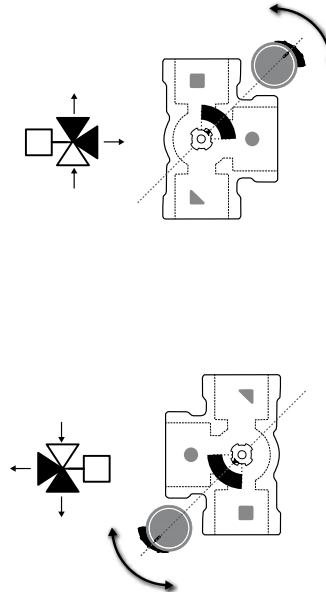
5



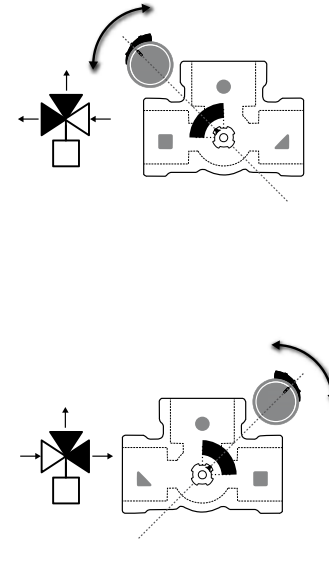
6a



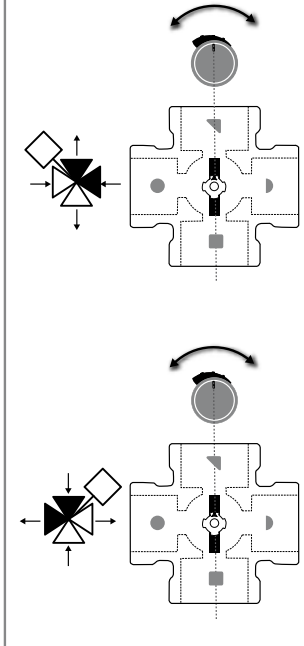
6b



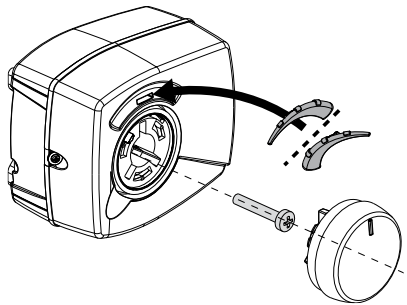
6c



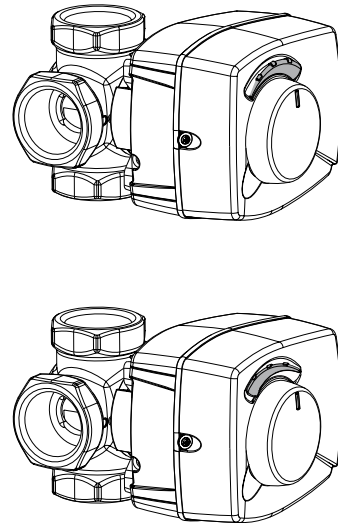
6d



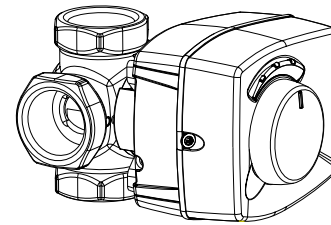
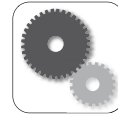
7a



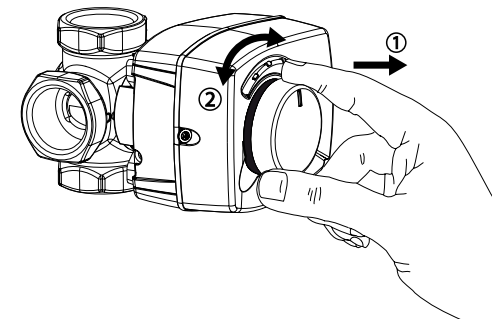
7b

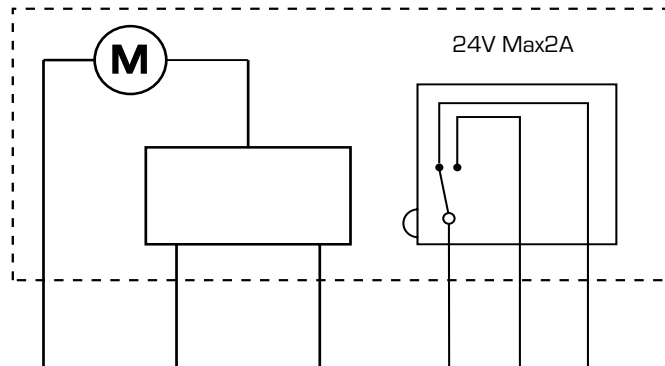
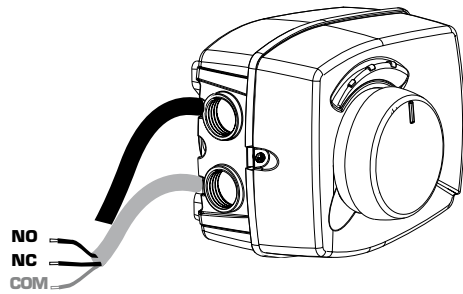
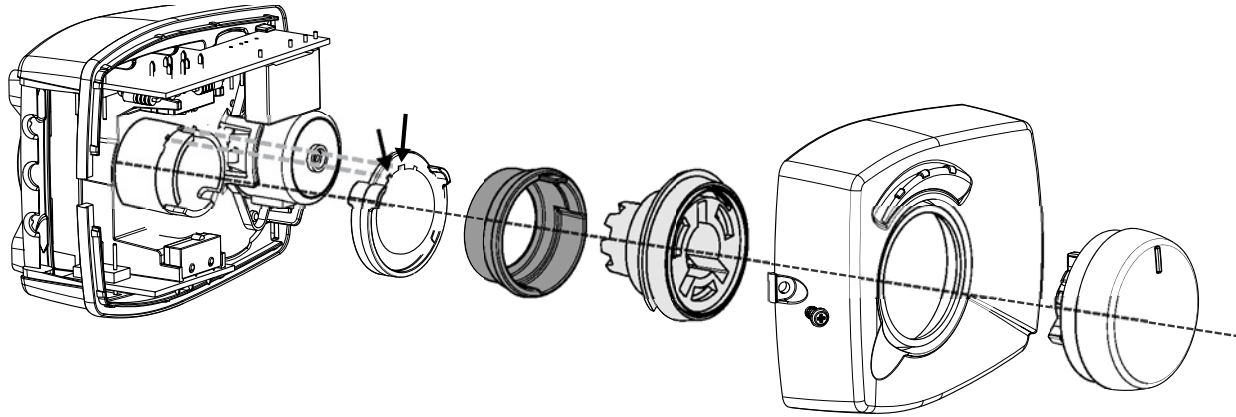


8



9





2point/ ON/OFF	N Blue	Y Black	L Brown	C White	NO Red	NC Orange
3point/ Floating	N Blue	↻ CCW Black	↻ CW Brown	C White	NO Red	NC Orange

24VAC

