

## Data Sheet

Strainer housing  
Type **FIA 250-300**

(10-12 in.)

Brings reliability and durability demanded in industrial refrigeration applications



FIA 250-300 (10-12 in.) strainers are a range of angleway strainers, which are carefully designed to give favourable flow conditions. The design makes the strainer easy to install, and ensures quick strainer inspection and cleaning.

FIA strainers are used ahead of automatic controls, pumps, compressors etc., for initial plant start-up and where permanent filtration of the refrigerant is required. The strainer reduces the risk of undesirable system breakdowns and reduces wear and tear on plant components.

FIA 250-300 (10-12 in.) strainers are equipped with a screen mesh of stainless steel, available in sizes 150 and 250 (microns <sup>(1)</sup>), (US 100 and 72 mesh <sup>(1)</sup>).

<sup>(1)</sup> Mesh is the number of threads per inch.  $\mu$  (microns) is the distance between two threads ( $1\mu = 1/1000$  mm)

<sup>1</sup> Mesh is the number of threads per inch.  $\mu$  (microns) is the distance between two threads ( $1\mu = 1/1000$  mm)

## Features

- Applicable to HC, HCFC, HFC, R717 (Ammonia) and R744 (CO<sub>2</sub>)
- Available with DIN and ANSI connections
- Filter net of stainless steel mounted direct. without extra gaskets means easy servicing.
- FIA 250-300 (10-12 in.) can be equipped with a magnetic insert for detention of iron particles and other magnetic particles.
- Each strainer clearly marked with type, size and performance range. • Housing and bonnet of low temperature steel in accordance with the requirements of the Pressure Equipment Directive and those of other international classification authorities.
- Temperature range:
  - -60 °C/+150 °C (-76 °F/+302 °F)
- Max. working pressure:
  - 40 bar (580 psig)
- Classification: DNV, CRN, BV, EAC etc.

**Portfolio overview**

Figure 1: FIA 250 - 300



Table 1: Portfolio overview

Description	Values
Valve body/connection material	Stainless steel
Equipment	Cover
Connection standard	EN 10220 DIN ANSI/ASME B 36.10
Connection type	Butt weld
Max. working pressure [bar/psig]	40 bar/580 psig
Packing format	Single pack

**Media**

**Refrigerants**

FIA strainers are currently authorized by Danfoss for use with more than 70 R-numbers HCFC, non-flammable HFC, Ammonia, CO<sub>2</sub> and hydrocarbons.

**New refrigerants**

Danfoss products are continually evaluated for use with new refrigerants depending on market requirements.

When a refrigerant is approved for use by Danfoss, it is added to the relevant portfolio, and the R number of the refrigerant (e.g. R513A) will be added to the technical data of the code number. Therefore, products for specific refrigerants are best checked at [store.danfoss.com/en/](http://store.danfoss.com/en/), or by contacting your local Danfoss representative.

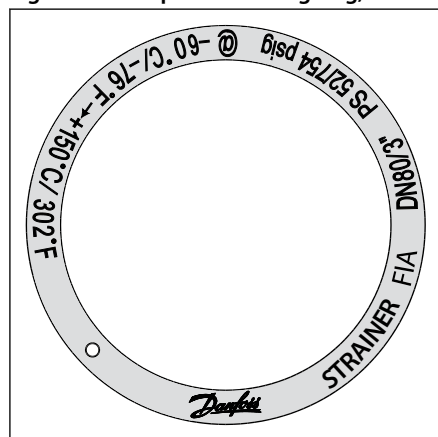
**Product specification**

**Design**

Table 2: Design

<b>Housing</b>	The strainer housing is made of special, cold resistant steel.
<b>Strainer Insert</b>	A filter grid and filter net of stainless steel ensure long element life. The filter net offers a very high degree of cleanability

Figure 2: Example of marking ring, FIA



**Material specification**

Figure 3: Material specification

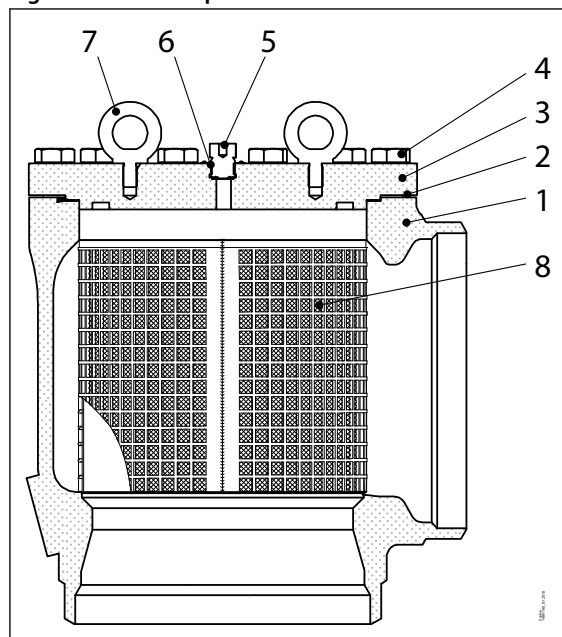


Table 3: Material specification according to standards

No.	Part	Material	DIN	ISO	ASTM
1	Housing	Steel	G20Mn5QT, 10213-3 P285QH+QT, 10222-4		LCC, A352 LF2, A350
2	Gasket	Fibre, Non-asbestos			
3	Cover	Steel	P285QH EN10222-4 P275NL1 or 2 EN10028-3		LF2, A350 A, A662
4	Bolts	Stainless steel	A2-70	A2-70	Type 308
5	Pressure relief screw	Stainless Steel			

## Strainer housing, Type FIA 250-300

No.	Part	Material	DIN	ISO	ASTM
6	Packing washer	Stainless steel			
7	Eye bolts DIN 580	Steel			
8	Strainer insert	Stainless Steel			

### Pressure and temperature

Figure 4: Pressure/temperature range

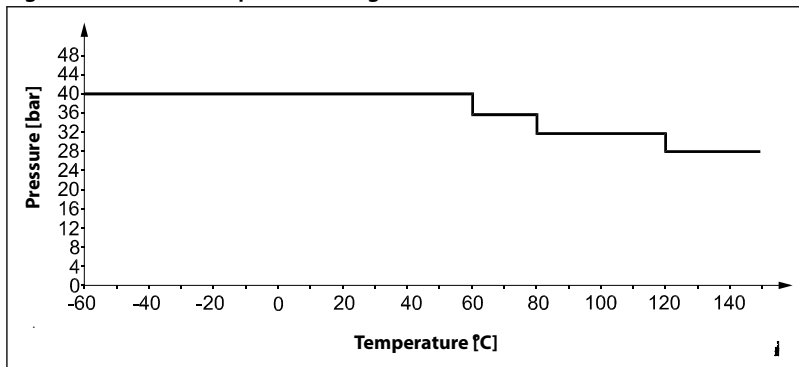


Table 4: Pressure and temperature

Pressure range	Temperature range
40 bar (580 psig) at -60 °C – +60 °C (-76 °F – +140 °F)	-60 °C – +150 °C (-76 – 302 °F)
36 bar (522 psig) at +60 °C – +80 °C (+140 °F – +176 °F)	
32 bar (464 psig) at +80 °C – +120 °C (+176 °F – +248 °F)	
28 bar (406 psig) at +120 °C – +150 °C (+248 °F – +302 °F)	

### Connections

Available with the following connections:

Table 5: Connections

Butt-weld DIN (EN 10220)	Butt-weld ANSI (B 36.10 Schedule 40)
DN 250 - 300 (10 in. - 12 in.)	DN 250 - 300 (10 in. - 12 in.)

Figure 5: DIN

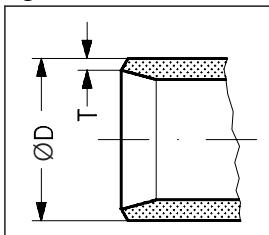
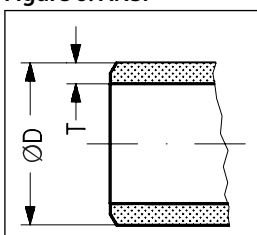


Table 6: DIN

Butt-weld DIN (EN 10220)					
Size		ØD	T	ØD	T
mm	in.	mm	mm	in.	in.
250	10	273	6.3	10.75	0.25
300	12	323.9	7.1	12.75	0.28

Figure 6: ANSI



## Strainer housing, Type FIA 250-300

**Table 7: ANSI**

Butt-weld DIN (EN 10220)					
Size		ØD	T	ØD	T
mm	in.	mm	mm	in.	in.
250	10	273	9.3	10.75	0.25
300	12	323.9	9.5	12.75	0.28

### Selection of strainer size

The mesh aperture size of the strainer must satisfy the requirements stated by the suppliers of the equipment to be protected. The following recommendations of aperture size apply in general to refrigeration installations:

**Table 8: Selection of strainer size**

Liquid Lines	
After pumps	150µ [100 mesh] / 250µ [72 mesh]
In front of AKVA valves	100µ [150 mesh]
Protection of automatic regulation equipment	
Generally	150µ [100 mesh] / 250µ [72 mesh]
Sensitive equipment, e.g. suction regulators with low temperature	250µ [72 mesh]
Suction Lines	
Ahead of screw compressor	250µ [72 mesh]
Ahead of piston compressor	150µ [100 mesh]

**NOTE:**

Mesh is the number of threads per inch. µ (microns) is the distance between two threads (1µ = 1 /1000 mm).

### Flow coefficient (DIN/ANSI)

**Table 9: Flow coefficient (DIN/ANSI)**

Connection size (DN) FIA	µ	Mesh	Wire		Free space %	Screen area	
			mm	in.		Plain inserts	
			cm <sup>2</sup>	in <sup>2</sup>			
250 (10")	150	100	0.1	0.004	36	1800	70.9
	250	72	0.1	0.004	51	1800	70.9
300 (12")	150	100	0.1	0.004	36	2590	102
	250	72	0.1	0.004	51	2590	102

### Kv values

**Table 10: Kv values**

DN	FIA angle - plain filter net	
	µ150	µ250
250	784.5	808.9
300	1062.3	1095.4

### Installation

The strainer is designed to resist high internal pressures. However, the piping system in general should be designed to avoid liquid traps and reduce the risk of hydraulic pressure caused by thermal expansion.

Install the strainer with the cover in downward position.

Danfoss recommends replacement/cleaning of the strainer when the differential pressure loss >0.5 bar (7.3 psi) in the liquid line and >0.05 bar (0.7 psi) in the suction line. The max. permissible differential pressure is 1 bar (15 psi).

For further information refer to installation guide for FIA.

## Dimensions and weights

Figure 7: Angleway

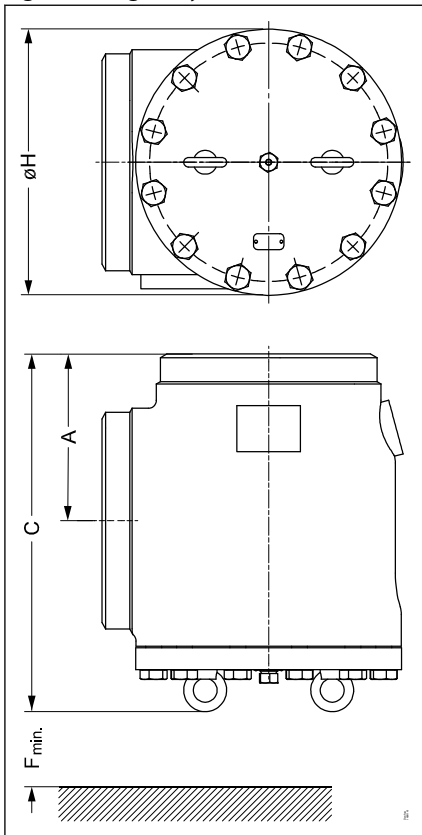


Table 11: Angleway

Strainer size		A	C	H	F <sub>min.</sub>	Weight
FIA 250 (10")	mm	210	450.5	334	285	89.6 kg
	in.	8.27	17.74	13.14	11.22	197.5 lbs
FIA 300 (12")	mm	240	510.5	384	340	122 kg
	in.	9.45	20.1	15.12	13.39	269 lbs

## Ordering

The table below is used to identify the strainer required. Please note that you have to order FIA strainer without insert and a strainer insert.

**Example:** FIA 250 D ANG + 150µ Strainer insert = **148H3171 + 148H3136**

**Table 12: Ordering**

Type	Size		FIA Without strainer insert	Strainer insert 150µ (100 mesh)	Strainer insert 250µ (72 mesh)
	mm	in.			
<b>Butt-weld DIN (EN 10220) - Angleway</b>					
FIA 250 D ANG	250	10	148H3171	148H3136	148H3175
FIA 300 D ANG	300	12	148H3172	148H3137	148H3176
<b>Butt-weld ANSI (B 36.10 Schedule 40) - Angleway</b>					
FIA 250 A ANG	250	10	148H3173	148H3136	148H3175
FIA 300 A ANG	300	12	148H3174	148H3137	148H3176

**D** = Butt-weld DIN

**A** = Butt-weld ANSI

**ANG** = Angleway

## Certificates, declarations, and approvals

The list contains all certificates, declarations, and approvals for this product type. Individual code number may have some or all of these approvals, and certain local approvals may not appear on the list.

Some approvals may change over time. You can check the most current status at [danfoss.com](http://danfoss.com) or contact your local Danfoss representative if you have any questions.

**Table 13: Valid Approvals**

File name	Document type	Document topic	Approval authority
RU Д-ДК.БЛ08.В.00828_19	EAC Declaration	Machinery & Equipment	EAC
0045 202 1204 Z 00354 19 D 001(00)	Pressure - Safety Certificate		TÜV
BV 03709-F0 BV	Marine - Safety Certificate		
RU Д-ДК.РА01.В.72058_20	EAC Declaration	PED	EAC
C-ДК.БЛ08.В.01095_20	Pressure - Safety Certificate	PED	EAC
DNV GL TAP000000S Rev. 1	Marine - Safety Certificate		DNV GL
033F0685.AJ	EU Declaration	EMCD/PED	Danfoss
033F0691.AD	Manufacturers Declaration	RoHS	Danfoss
033F0691.AD	Manufacturers Declaration	RoHS	Danfoss
0045 202 1204 Z 00355 19 D 001(00)	Pressure - Safety Certificate		TÜV
033F0453.AD	Manufacturers Declaration	ATEX	Danfoss
19.10048.266	Marine - Safety Certificate		RMRS

**Table 14: Compliance**

Nominal bore	DN 250 mm (10 in.)	DN 300 (12 in.)
Classified for	Fluid group I	
Category	III	IV

**Table 15: Conformity Approvals**

	<p><b>Pressure Equipment Directive (PED)</b>            FIA strainers are approved in accordance with the European standard specified in the Pressure Equipment Directive and are CE marked.            For further details / restrictions - see Installation guide.</p>
--	--

## Online support

Danfoss offers a wide range of support along with our products, including digital product information, software, mobile apps, and expert guidance. See the possibilities below.

### The Danfoss Product Store



The Danfoss Product Store is your one-stop shop for everything product related—no matter where you are in the world or what area of the cooling industry you work in. Get quick access to essential information like product specs, code numbers, technical documentation, certifications, accessories, and more.

Start browsing at [store.danfoss.com](https://store.danfoss.com).

### Find technical documentation



Find the technical documentation you need to get your project up and running. Get direct access to our official collection of data sheets, certificates and declarations, manuals and guides, 3D models and drawings, case stories, brochures, and much more.

Start searching now at [www.danfoss.com/en/service-and-support/documentation](https://www.danfoss.com/en/service-and-support/documentation).

### Danfoss Learning



Danfoss Learning is a free online learning platform. It features courses and materials specifically designed to help engineers, installers, service technicians, and wholesalers better understand the products, applications, industry topics, and trends that will help you do your job better.

Create your Danfoss Learning account for free at [www.danfoss.com/en/service-and-support/learning](https://www.danfoss.com/en/service-and-support/learning).

### Get local information and support



Local Danfoss websites are the main sources for help and information about our company and products. Find product availability, get the latest regional news, or connect with a nearby expert—all in your own language.

Find your local Danfoss website here: [www.danfoss.com/en/choose-region](https://www.danfoss.com/en/choose-region).

### Spare Parts



Get access to the Danfoss spare parts and service kit catalog right from your smartphone. The app contains a wide range of components for air conditioning and refrigeration applications, such as valves, strainers, pressure switches, and sensors.

Download the Spare Parts app for free at [www.danfoss.com/en/service-and-support/downloads](https://www.danfoss.com/en/service-and-support/downloads).

### Coolselector®2 - find the best components for you HVAC/R system



Coolselector®2 makes it easy for engineers, consultants, and designers to find and order the best components for refrigeration and air conditioning systems. Run calculations based on your operating conditions and then choose the best setup for your system design.

Download Coolselector®2 for free at [coolselector.danfoss.com](https://coolselector.danfoss.com).

Danfoss can accept no responsibility for possible errors in catalogues, brochures and other printed material. Danfoss reserves the right to alter its products without notice. This also applies to products already on order provided that such alterations can be made without subsequential changes being necessary in specifications already agreed. All trademarks in this material are property of the respective companies. Danfoss and the Danfoss logotype are trademarks of Danfoss A/S. All rights reserved.