



# Filter drier, shell

## DCR CO<sub>2</sub>

Danfoss ELIMINATOR<sup>®</sup> filter drier with replaceable solid core.  
Designed for subcritical and transcritical CO<sub>2</sub> applications

## Description

Danfoss ELIMINATOR<sup>®</sup> filter driers with replaceable solid core, type DCR, are for use in liquid and / or suction lines in CO<sub>2</sub> refrigeration systems.

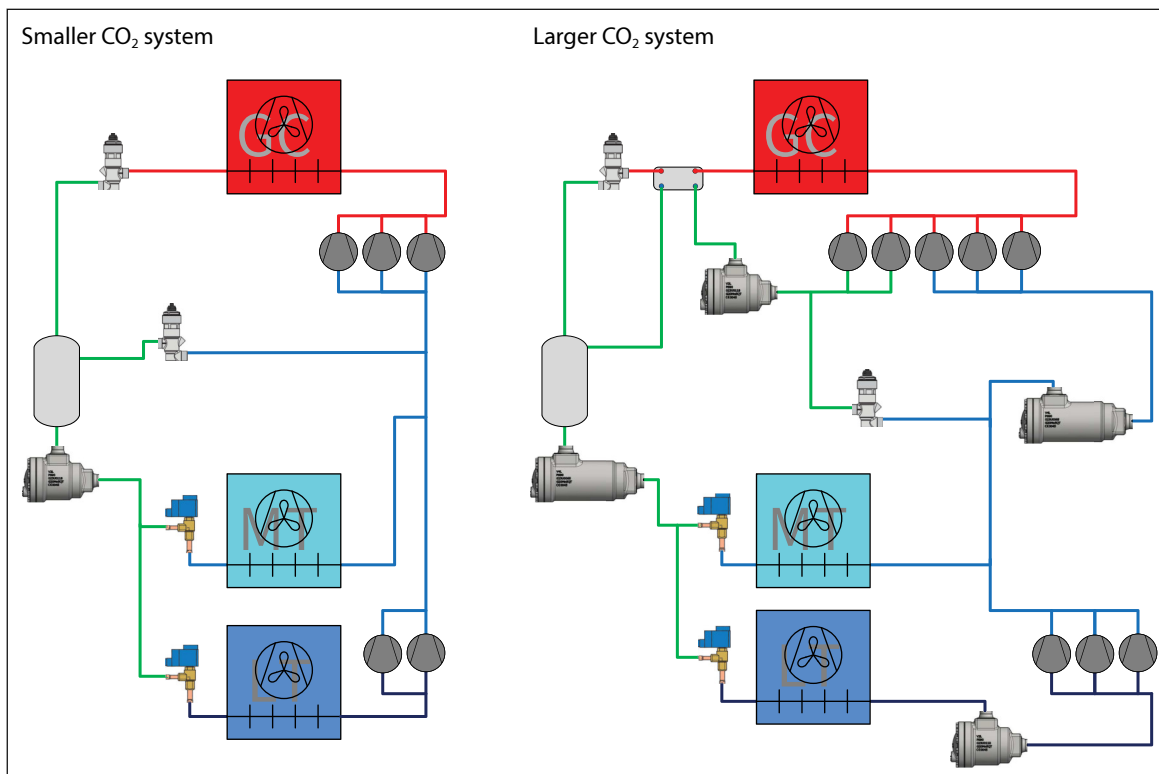
They offer a high system reliability by design and performance with a high flow rate, in a lightweight shape.

All solid cores have an optimized uniform grain size ensuring effective dirt removal and low pressure drop. The robust solid cores withstand pressure surge and vibration.

## Features & benefits

- Easy handling - compact design
- Cartridge design - Ease of serviceability
- Optimized core plate, inlet and outlet design offers higher flow capacity
- DCR housing and top cover ia 100% leak tested:
  - PED approved for PS up to 90 bar/1305 Psig
  - No welded joints – High Product Reliability
  - DCR housing (including core holder) are made entirely of steel and are thus compatible with CO
  - Zinc-chromated steel top covers with drain plug for Liquid evacuation
- Inserts for DCR housing with the robust solid cores withstand pressure surge and vibration:
  - 48 - DM - 100% molecular sieve solid core provides high moisture adsorption at low and high condensing temperatures
  - 48 - DC - 80% molecular sieve and 20% activated alumina solid core adsorbs moisture and acid in the system
  - 48 - F strainer retains dirt particles larger than 15 µm
  - 48 - DA - 30% molecular sieve and 70% activated alumina solid core suitable after compressor burnout
  - All solid cores have an optimized uniform grain size ensuring effective dirt removal and low pressure drop

## Applications



## Ordering

### Product code numbers

DCR housing and insert are ordered separately. Select housing and top cover from the below table.

Figure: DCR housing with DN connection

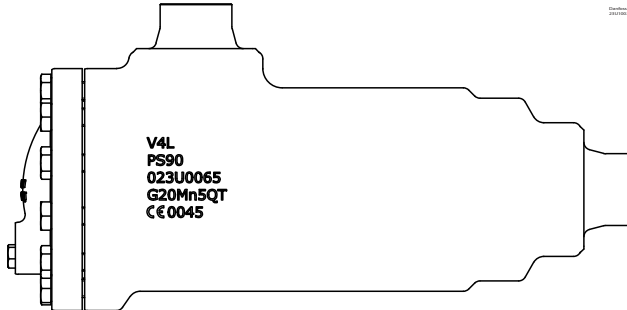


Figure: DCR housing with solder ODF

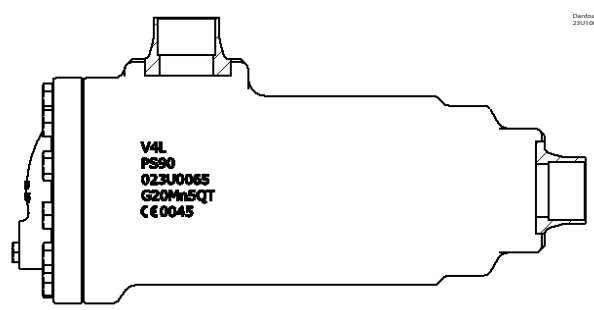


Table: DCR Housing with steel connectors + top cover

Type	Number of cores	Steel connectors		Cover type	Max. working pressure PS [bar]/ Psig	Packing type [Qty]	Code number
		Solder ODF	Butt weld				
		[in]	[mm]				
DCR 04811B	1	ODF 1 3/8"	–	Plug 1/4" NPT	90 / 1305	Single	023U1008
DCR 04811B	1	ODF 1 3/8"	–	Plug 1/4" NPT	90 / 1305	Industrial (18 pcs)	023U1009
DCR 04811dB	1	–	DN 32	Plug 1/4" NPT	90 / 1305	Single	023U1011
DCR 04811dB	1	–	DN 32	Plug 1/4" NPT	90 / 1305	Industrial	023U1012
DCR 04807B	1	ODF 7/8"	–	Plug 1/4" NPT	90 / 1305	Single	023U1014
DCR 04807B	1	ODF 7/8"	–	Plug 1/4" NPT	90 / 1305	Industrial	023U1015
DCR 04807dB	1	–	DN 20	Plug 1/4" NPT	90 / 1305	Single	023U1017
DCR 04807dB	1	–	DN 20	Plug 1/4" NPT	90 / 1305	Industrial (18 pcs)	023U1018
DCR 09613B	2	ODF 1 5/8"	–	Plug 1/4" NPT	90 / 1305	Single	023U0996
DCR 09613B	2	ODF 1 5/8"	–	Plug 1/4" NPT	90 / 1305	Industrial (12 pcs)	023U0997
DCR 09613dB	2	–	DN 40	Plug 1/4" NPT	90 / 1305	Single	023U0999
DCR 09613dB	2	–	DN 40	Plug 1/4" NPT	90 / 1305	Industrial (12 pcs)	023U1000
DCR 09617B	2	ODF 2 1/8"	–	Plug 1/4" NPT	90 / 1305	Single	023U1002
DCR 09617B	2	ODF 2 1/8"	–	Plug 1/4" NPT	90 / 1305	Industrial (12 pcs)	023U1003
DCR 09617dB	2	–	DN 50	Plug 1/4" NPT	90 / 1305	Single	023U1005
DCR 09617dB	2	–	DN 50	Plug 1/4" NPT	90 / 1305	Industrial (12 pcs)	023U1006
DCR 09617dB	2	–	DN 50	Plug G 1/2	90 / 1305	Single	023U1202
DCR 09617dB	2	–	DN 50	Plug G 1/2	90 / 1305	Industrial (12 pcs)	023U1203

Figure: DCR insert

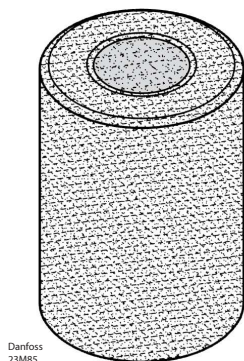
Danfoss  
23M85

Table: DCR core surface and volume

Core	Surface	Volume
	[cm <sup>2</sup> ]	[cm <sup>3</sup> ]
DM048, DC 048 and DA 048	612	727
DM096, DC 096 and DA 096	1225	1454
48-F	405	-

Table: DCR inserts code numbers

Type	Material	Code Number
		Industrial pack (8 pieces) 023U1393
48-DM solid core <sup>(1)</sup>	100% molecular sieve	023U1393
48-DC solid core <sup>(1)</sup>	80% molecular sieve & 20% Al <sub>3</sub> O <sub>2</sub>	023U4382
48-DA solid core <sup>(1)</sup>	30% molecular sieve & 70% Al <sub>3</sub> O <sub>2</sub>	023U5382
48-F strainer <sup>(1)</sup>	Felt gasket, 15 µm	023U1921

<sup>(1)</sup> DC filter driers cores contain activated alumina, which is a polar material used for acid adsorption. Many oil additives are also polar substances and can be adsorbed by the activated alumina, rendering them useless, and reducing the drier's acid capacity, though this is not harmful to the system.

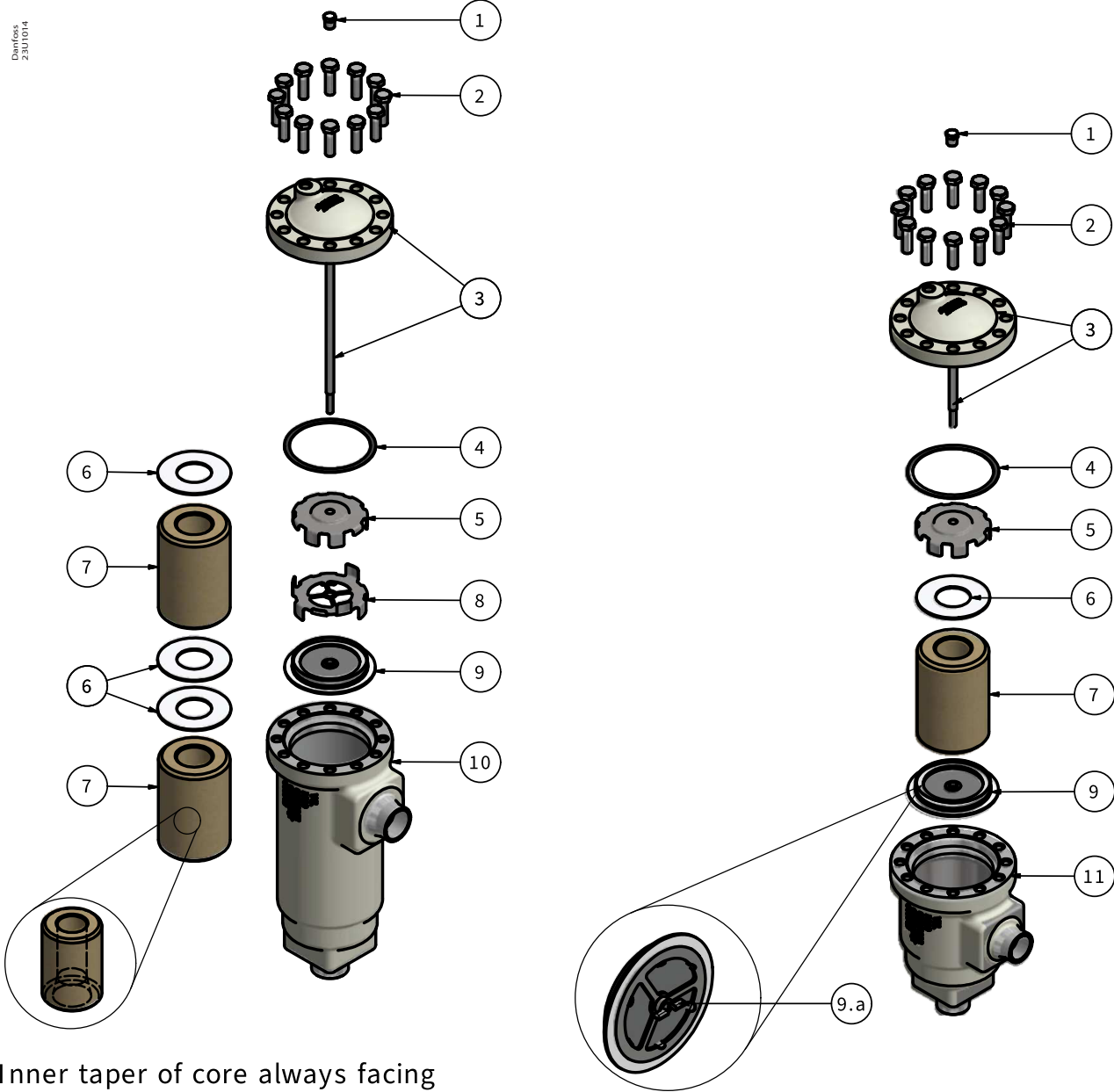
## Spare parts code numbers

Part	Description	Code number	Quantity
	Front plate assembly	023U1154	1
	Single core internal parts	023U1155	1
	Two core internal parts	023U1156	1
	1/4" NPT cover	023U1157	1
	1/2" G Thread cover	023U1158	1
	Flat gasket	023U1159	5
	M12 Bolts	023U1160	12

## Functions

Danfoss ELIMINATOR® filter driers with replaceable solid core, type DCR protect CO<sub>2</sub> refrigeration, systems from moisture, acids, and solid particles. With these contaminants eliminated, systems are safer from harmful chemical reactions and from abrasive impurities.

Figure: DCR CO<sub>2</sub>



Inner taper of core always facing towards filter outlet

1	Plug for cover
2	Cover Bolts
3	Cover plate & core shaft
4	Cover gasket
5	Core plate bottom
6	Core felt gasket

7	Core
8	Core plate middle
9	Core holder assembly
9.a	Wing nut
10	Housing for 2 cores
11	Housing for 1 core

## Product details

### General data

Table: Technical data

Parameter	Specification
Maximum working pressure	90 / 1305 bar/psig
Temperature range	- 55 – 100 °C / -67 – 212 F
Housing material	G20Mn5+QT 1.6220 EN10213-3
Cover material	G20Mn5+QT 1.6220 EN10213-3
Gasket material	Graflit-EM
Core holder material	11SMn30 1.0715 EN 10087
M12 Bolt material	A2-70

### Identification

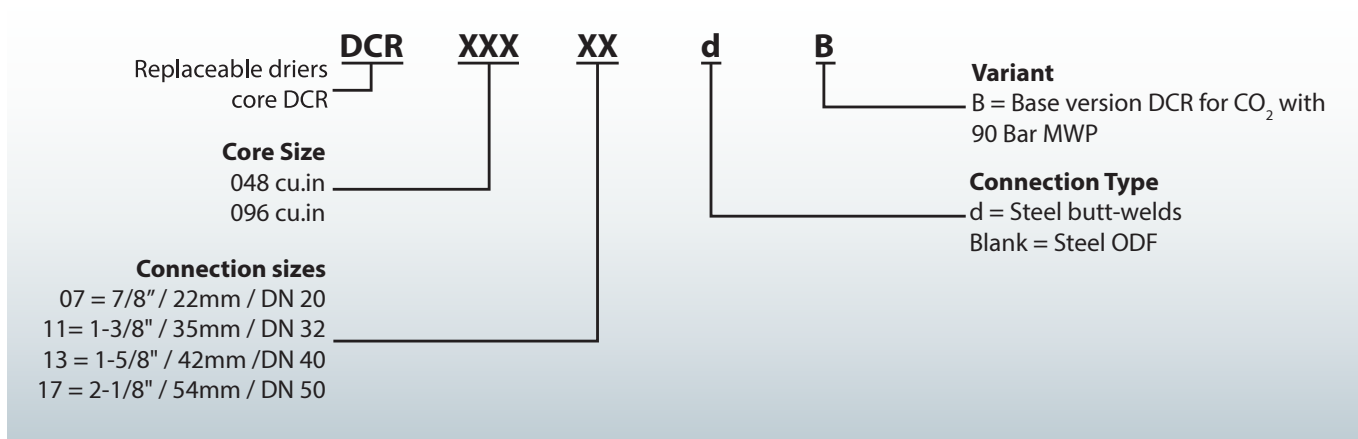


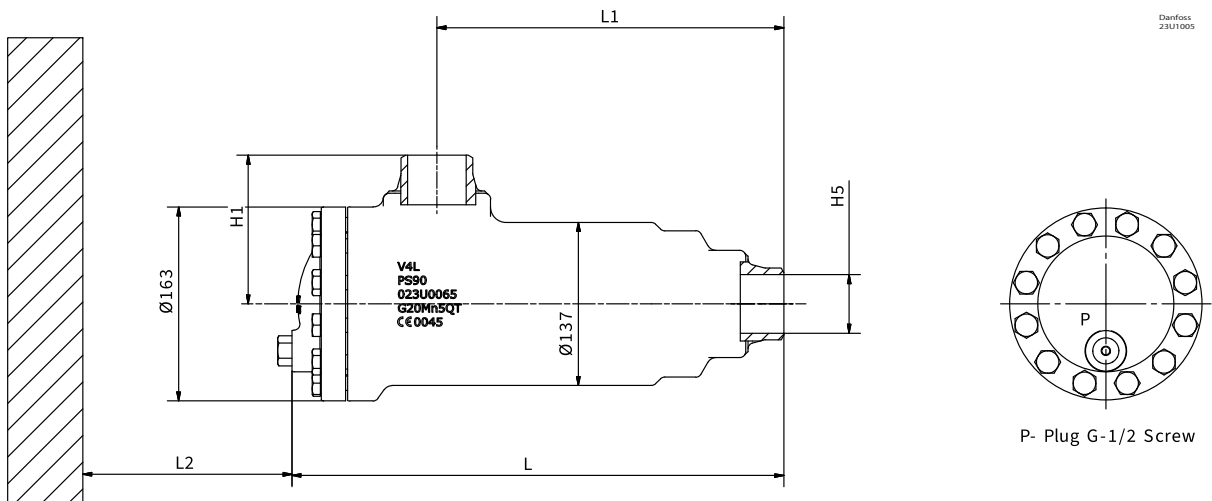
Table: Core selection

Refrigerant and oil types		DC	DM	DA
Refrigerant	CO <sub>2</sub> (R744)	Recommended	Recommended	Recommended
Oil	Mineral or AB	Recommended	Recommended	Recommended
	POE or PAG, pure	Recommended	Recommended	Recommended
	POE or PAG, with additives	Not recommended <sup>(1)</sup>	Recommended	Recommended

<sup>(1)</sup> DC filter driers cores contain activated alumina, which is a polar material used for acid adsorption. Many oil additives are also polar substances and can be adsorbed by the activated alumina, rendering them useless, and reducing the drier's acid capacity, though this is not harmful to the system.

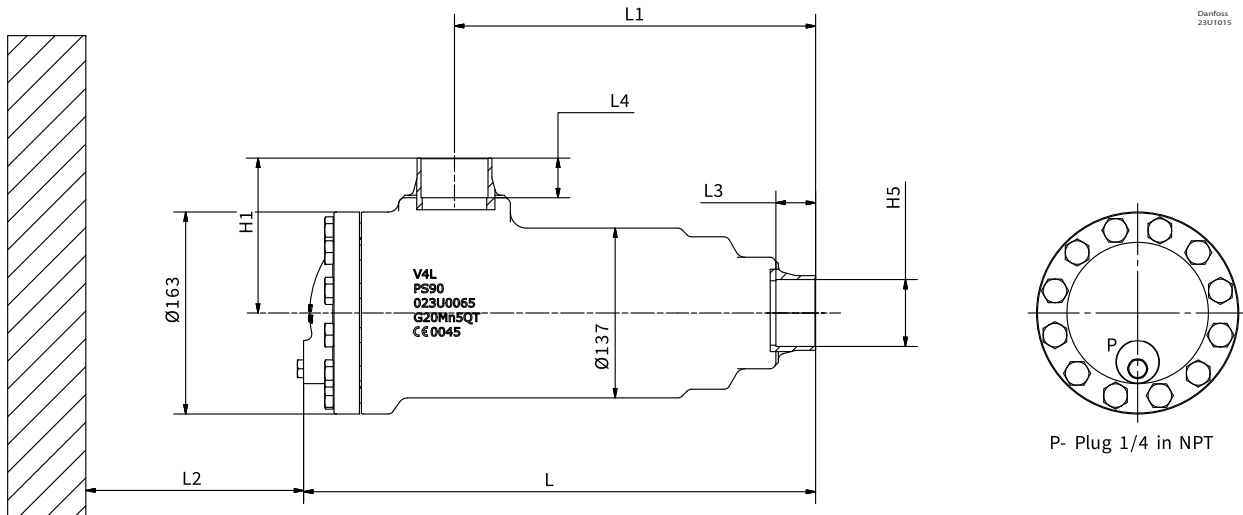
## Dimensions

Figure: Dual core housing with DN connection



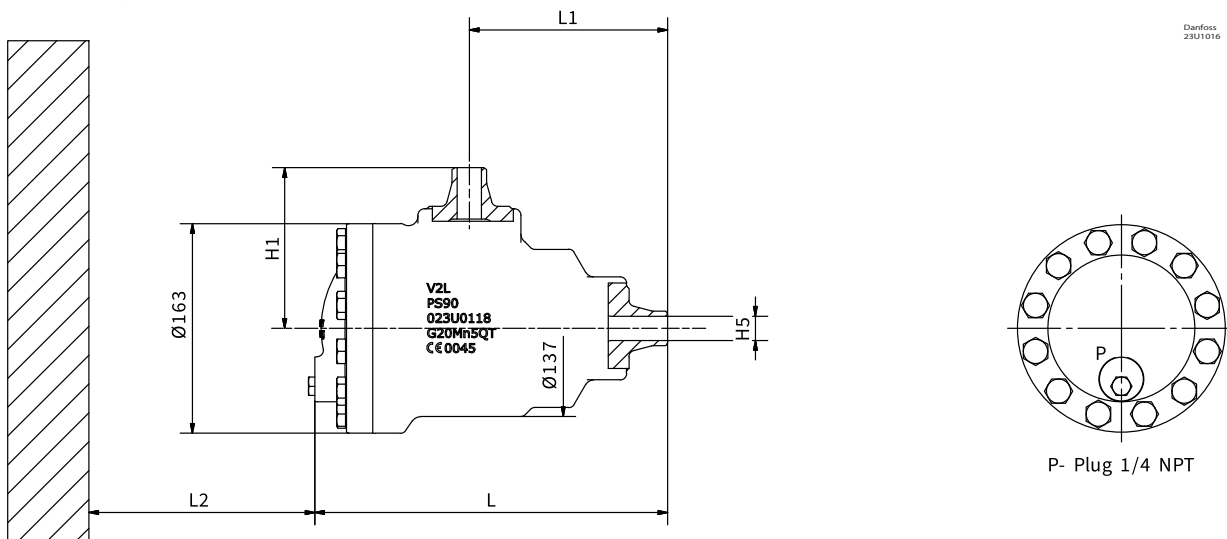
P- Plug G-1/2 Screw

Figure: Dual core housing with ODF Connection



P- Plug 1/4 in NPT

Figure: Single core housing with DN Connection



P- Plug 1/4 NPT

Figure: Single core housing with ODF Connection

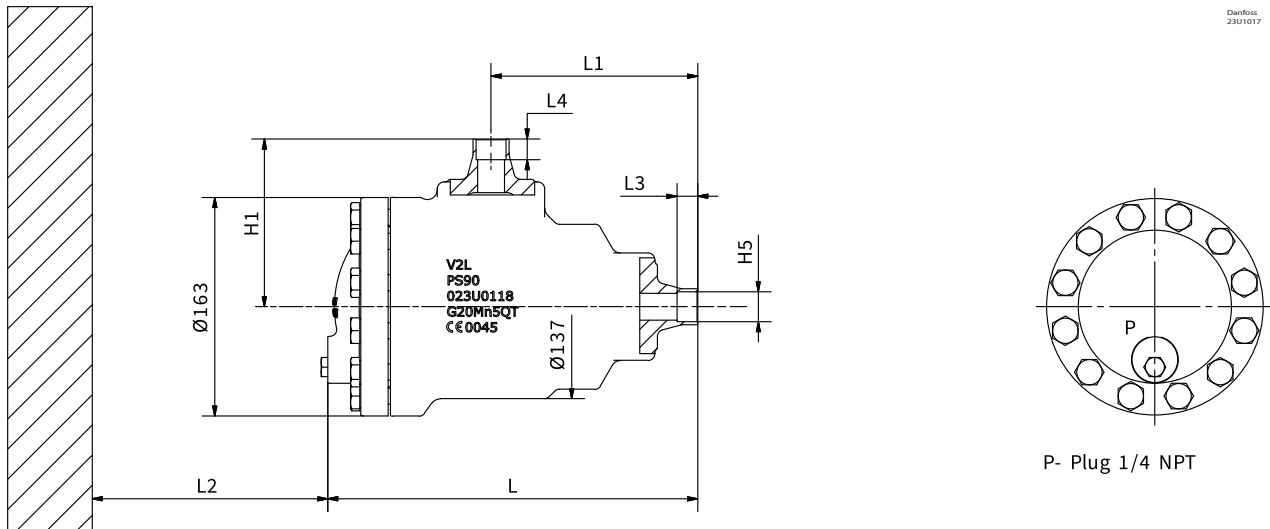


Table: Dimension and Weight

Type of DCR	Number of core	Dimension in mm / [in]							Net Weight	
		L	L1	L2	L3	L4	H1	H5	Kg / lb	
DCR 04811B	1	275.6 / 10.9	154 / 6.1	250 / 9.8	23.0 / 0.9	23.0 / 0.9	125 / 4.9	35.0 / 1.4	13.8 / 30.4	
DCR 04811dB	1	275.6 / 10.9	154 / 6.1	250 / 9.8	-	-	125 / 4.9	32.6 / 1.3	13.8 / 30.4	
DCR 04807B	1	275.6 / 10.9	154 / 6.1	250 / 9.8	15.4 / 0.6	15.4 / 0.6	125 / 4.9	22.23 / 0.9	13.8 / 30.4	
DCR 04807dB	1	275.6 / 10.9	154 / 6.1	250 / 9.8	-	-	125 / 4.9	18.9 / 0.7	13.8 / 30.4	
DCR 09613B	2	412.6 / 16.2	291 / 11.5	400 / 15.7	27.0 / 1.1	27.0 / 1.1	125 / 4.9	42.0 / 1.7	19.0 / 42.0	
DCR 09613dB	2	412.6 / 16.2	291 / 11.5	400 / 15.7	-	-	125 / 4.9	38.1 / 1.5	19.0 / 42.0	
DCR 09617B	2	412.6 / 16.2	291 / 11.5	400 / 15.7	32.0 / 1.3	32.0 / 1.3	125 / 4.9	54 / 2.1	19.0 / 42.0	
DCR 09617dB	2	412.6 / 16.2	291 / 11.5	400 / 15.7	-	-	125 / 4.9	49.2 / 1.9	19.0 / 42.0	
DCR 09617dB	2	412.6 / 16.2	291 / 11.5	400 / 15.7	-	-	125 / 4.9	49.2 / 1.9	19.0 / 42.0	

## Certificates, declarations and approvals

The list contains all certificates, declarations, and approvals for this product type. Individual code number may have some or all of these approvals, and certain local approvals may not appear on the list.

When you click on the link you will be directed to the latest version of the 'Declaration of Conformity'. Products developed and sold before this date of issue conform to the directives/standards in force at the time of their sale.

Approval type	Title	Certification body	Approval topic
Pressure Safety Certificate	<a href="#">NSW PV 6-238701.19</a>	NSW - New South Wales Government	
UK Declaration	<a href="#">Danfoss UK 023U9614.AB</a>	Danfoss	
Pressure Safety Certificate	<a href="#">NSW PV 6-238699.19</a>	NSW - New South Wales Government	
Mechanical Safety Certificate	<a href="#">UL SA6398-20240506 UL-CA</a>	UL - Underwriters Laboratories inc.	
Pressure Safety Certificate	<a href="#">NSW PV 6-238700.19</a>	NSW - New South Wales Government	
Manufacturer's Declaration	<a href="#">Danfoss MD 023U9611.AF</a>	Danfoss	PED, Pressure, EU RoHS
Mechanical Safety Certificate	<a href="#">UL SA6398 19910806 US-CA</a>	UL - Underwriters Laboratories inc.	
EU Declaration	<a href="#">Danfoss EU 023U9612.AF</a>	Danfoss	PED, Pressure
Manufacturer's Declaration	<a href="#">Danfoss MD 023U9601.AA</a>	Danfoss	China RoHS
EU Declaration	<a href="#">Danfoss EU 033F0685.AZ</a>	Danfoss	EMC, PED, Pressure
Pressure Safety Certificate	<a href="#">LLC CDC EURO-TYSK</a> <a href="#">UA.TR.089.1015.07-22</a>	LLC CDC EURO TYSK - Ukraine	Pressure
Export Control Declaration	<a href="#">Filter Driers 023U and 023Z</a>	Danfoss	
UA Declaration	<a href="#">Danfoss UA 2023-01-10 Filters</a> <a href="#">PL01</a>	Danfoss	PED, Pressure

## Contact details

### Online support

Danfoss offers a wide range of support along with our products, including digital information, software, mobile apps and expert guidance. See the possibilities below.



#### The Danfoss Design center

Discover the Design Center, our advanced digital platform that streamlines product selection. With integrated tools and enhanced type pages, it's simpler than ever to access product information and documentation, and to select the right products. Check the availability of Danfoss products at partner locations and enjoy seamless transitions from selection to purchase with our basket-to-basket functionality. Whether you're buying from our distributors or directly from the Product Store, the Design Center simplifies your experience. Learn more at: [designcenter.danfoss.com](https://designcenter.danfoss.com).



#### The Danfoss product store

The Danfoss Product Store is a one-stop shop available 24/7 for our customers, no matter where you are in the world or what area of industry you work in. Browse our catalog, check product details and documentation, view your prices and product availability, and quickly finalize your purchase. Start browsing at: [store.danfoss.com](https://store.danfoss.com).



#### Danfoss Partner Portal/Product Data tool

Designed to support you with easy access to product data extracts, essential resources, tools, and information. The Partner Portal provides a centralized hub for product documentation, training materials, marketing assets, and technical support, ensuring you have everything you need to succeed and grow your business with Danfoss. The Partner Portal is available 24/7 at: [partner.danfoss.com](https://partner.danfoss.com) and is ready to support your business.



#### Find technical documentation

Find technical documentation you need to get your project up running. Get direct access to our official collection of data sheets, certificates and declarations, manuals and guides, 3D models and drawings, case stories, brochures, and much more. Start searching now at: [documentation.danfoss.com](https://documentation.danfoss.com).



#### Danfoss Learning

Danfoss Learning is a free online learning platform. It features courses and materials specifically designed to help engineers, installers, service technicians, and wholesalers better understand the products, applications industry topics, and trends that will help you do your job better. Find your local Danfoss website here: [learning.danfoss.com](https://learning.danfoss.com).



#### Get local information and support

Local Danfoss websites are the main sources for help and information about our company and products. Find product availability, get the latest regional news, or connect with a nearby expert - all in your own language. Find your local Danfoss website here: [danfoss.com](https://danfoss.com).

#### Danfoss A/S

Climate Solutions . danfoss.com . +45 7488 2222

---

Any information, including, but not limited to information on selection of product, its application or use, product design, weight, dimensions, capacity or any other technical data in product manuals, catalogues description, advertisements, etc. and whether made available in writing, orally, electronically, online or via download, shall be considered informative, and is only binding if and to the extent, explicit reference is made in a quotation or order confirmation. Danfoss cannot accept any responsibility for possible errors in catalogues, brochures, videos and other material. Danfoss reserves the right to alter its products without notice. This also applies to products ordered but not delivered provided that such alterations can be made without changes to form, fit or function of the products. All trademarks in this material are property of Danfoss A/S or Danfoss group companies. Danfoss and the Danfoss logo are trademarks of Danfoss A/S. All rights reserved.

---