



Solenoid coil

BJ / BX / BT / BU

UL-approved coils are available for Danfoss electric expansion valves and solenoid valves that carry UL certification.

Description

BJ and BX are a series of coils with UL approval. The coils are designed to be used with Danfoss electric expansion and solenoid valves.

BT and BU are dual-voltage versions with UL approval, designed to be used with Danfoss solenoid valves.

Features & benefits

- High reliability and long lifetime
- Easy mounting and dismounting
- UL approved coil range
- Covering standard voltage and frequency
- Two electrical connection versions

Ordering

Product code numbers

BJ and BX Coils

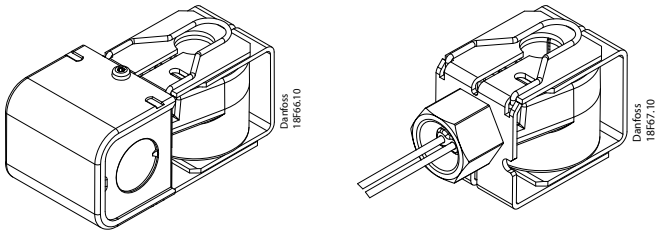


Table: Junction box NEMA 2

Valve type	Coil type	Wire length		Voltage [V AC]	Frequency [Hz]	Power consumption [W]	Code no.
		[inch]	[mm]				
AKV / EVR EVRH / EVRA EVRAT / EVRS	BJ024CS	7	18	24	50 / 60	14	018F4100
EVRST / EVM EV220B 6-50	BJ120CS	7	18	110 120	50 / 60 60	16 15	018F4110
EV210B EV215B EV225B EV250B	BJ240CS	7	18	208 – 240 230	60 50	14 17	018F4120
AKVH / EVRH	BJ120BS	7	18	120	60	16	018F4130
	BJ208BS	7	18	208	60	16	018F4132
	BJ240BS	7	18	240	60	16	018F4134

Table: Conduit boss NEMA 4

Valve type	Coil type	Wire length		Voltage	Frequency	Power consumption	Code no.
		[inch]	[mm]	[V AC]	[Hz]	[W]	
AKV / EVR EVRH /	BX024CS	18	46	24	50 / 60	14	018F4102
	BX024CS	71	180	24	50 / 60	14	018F4103
EVRA EVRAT / EVRS	BX024CS	98	250	24	50 / 60	14	018F4104
	BU240C	7	18	208 – 240	60	12	
EVRST / EVM EV220B 6-50	BX120CS	18	46	110 120	50 / 60 60	16 15	018F4112
	BX120CS	36	91				018F4113
EV210B EV215B	BX120CS	71	180				018F4114
	BX120CS	98	250				018F4115
EV225B EV250B	BX240CS	18	46	208 – 240 230	60 50	14 17	018F4122
	BX240CS	98	250				018F4123

BT and BU Coils**Table: Junction box NEMA 2**

Valve type	Coil type	Wire length		Voltage	Frequency	Power consumption	Code no.
		[inch]	[mm]	[V AC]	[Hz]	[W]	
EVR	BT240C	7	18	110	50	12	018F4180
	BT240C	7	18	110 – 120	60	12	
	BT240C	7	18	230	50	12	
	BT240C	7	18	208 – 240	60	12	

Table: Conduit boss NEMA 4

Valve type	Coil type	Wire length		Voltage	Frequency	Power consumption	Code no.
		[inch]	[mm]	[V AC]	[Hz]	[W]	
EVR	BU240C	7	18	110	50	12	018F4181
	BU240C	7	18	110 – 120	60	12	
	BU240C	7	18	230	50	12	
	BU240C	7	18	208 – 240	60	12	

Product details

General data

Table: Technical Data

Power supply	Permissible voltage variation	Insulation of coil wire
Alternating current (AC)	Alternating current (AC) <ul style="list-style-type: none"> 50 Hz and 60 Hz: -15% to +10% 50/60 Hz: $\pm 10\%$ 	Class H according to IEC 85

Design

In accordance with UL 429

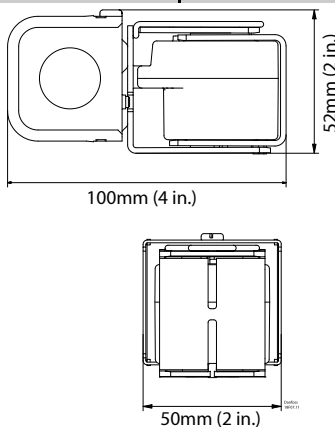
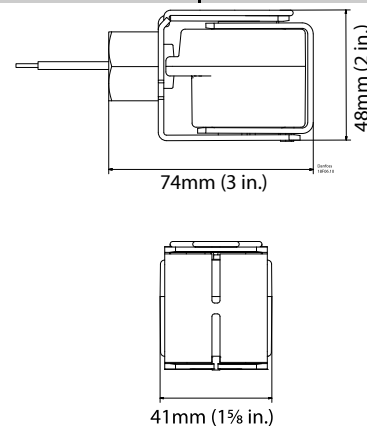
Pressure and temperature data

Table: Pressure and Temperature data

Ambient temperature	Humidity
-40 – 122 °F (-40 – 50 °C)	0 – 97% non-condensation condition

Dimensions

Table: Dimensions

Junction box		Conduit boss	
Weight	0.39 kg / 0.860 lbs	Weight	0.33 kg / 0.717 lbs
			

Connections

Table: Junction box or Conduit boss

Enclosure, IEC 60529	Junction box NEMA 2 ~ IP 12-32
	Conduit boss NEMA 4 ~ IP 54

Certificates, declarations and approvals

The list contains all certificates, declarations, and approvals for this product type. Individual code number may have some or all of these approvals, and certain local approvals may not appear on the list.

When you click on the link you will be directed to the latest version of the 'Declaration of Conformity'. Products developed and sold before this date of issue conform to the directives/standards in force at the time of their sale.

Approval type	Title	Certification body	Approval topic
Mechanical Safety Certificate	UL MH29671	UL - Underwriters Laboratories inc.	
Export Control Declaration	Solenoid Coils	Danfoss	
UA Declaration	Danfoss UA 8505	Danfoss	UA RoHS

Contact details

Online support

Danfoss offers a wide range of support along with our products, including digital information, software, mobile apps and expert guidance. See the possibilities below.



The Danfoss Design center

Discover the Design Center, our advanced digital platform that streamlines product selection. With integrated tools and enhanced type pages, it's simpler than ever to access product information and documentation, and to select the right products. Check the availability of Danfoss products at partner locations and enjoy seamless transitions from selection to purchase with our basket-to-basket functionality. Whether you're buying from our distributors or directly from the Product Store, the Design Center simplifies your experience. Learn more at: designcenter.danfoss.com.



The Danfoss product store

The Danfoss Product Store is a one-stop shop available 24/7 for our customers, no matter where you are in the world or what area of industry you work in. Browse our catalog, check product details and documentation, view your prices and product availability, and quickly finalize your purchase. Start browsing at: store.danfoss.com.



Danfoss Partner Portal/Product Data tool

Designed to support you with easy access to product data extracts, essential resources, tools, and information. The Partner Portal provides a centralized hub for product documentation, training materials, marketing assets, and technical support, ensuring you have everything you need to succeed and grow your business with Danfoss. The Partner Portal is available 24/7 at: partner.danfoss.com and is ready to support your business.



Find technical documentation

Find technical documentation you need to get your project up running. Get direct access to our official collection of data sheets, certificates and declarations, manuals and guides, 3D models and drawings, case stories, brochures, and much more. Start searching now at: documentation.danfoss.com.



Danfoss Learning

Danfoss Learning is a free online learning platform. It features courses and materials specifically designed to help engineers, installers, service technicians, and wholesalers better understand the products, applications industry topics, and trends that will help you do your job better. Find your local Danfoss website here: learning.danfoss.com.



Get local information and support

Local Danfoss websites are the main sources for help and information about our company and products. Find product availability, get the latest regional news, or connect with a nearby expert - all in your own language. Find your local Danfoss website here: danfoss.com.

Danfoss A/S

Climate Solutions . danfoss.com . +45 7488 2222

Any information, including, but not limited to information on selection of product, its application or use, product design, weight, dimensions, capacity or any other technical data in product manuals, catalogues description, advertisements, etc. and whether made available in writing, orally, electronically, online or via download, shall be considered informative, and is only binding if and to the extent, explicit reference is made in a quotation or order confirmation. Danfoss cannot accept any responsibility for possible errors in catalogues, brochures, videos and other material. Danfoss reserves the right to alter its products without notice. This also applies to products ordered but not delivered provided that such alterations can be made without changes to form, fit or function of the products. All trademarks in this material are property of Danfoss A/S or Danfoss group companies. Danfoss and the Danfoss logo are trademarks of Danfoss A/S. All rights reserved.
