



Safety relief valve

**SFA 10 / SFA 10H / SFA 15 /
SFA 15-50**

For protection of vessels and other components against excessive pressure

Description

The SFA 10 and SFA 15 are standard, back pressure dependent safety relief valves in angle-way execution, specially designed for protection of vessels and other components against excessive pressure.

The valve is designed to meet the strict quality demands and safety requirements for refrigeration installations, specified by the international classification societies.

The spring housing is closed tightly to avoid refrigerant leakage.

The inlet flow diameters of the valves are:

- 6.8 mm (¼ in) for SFA 10
- 13 mm (½ in) for SFA 15/SFA 15 – 50

The valves can be ordered with set pressure:

- Between 10 and 28 bar (145 and 406 psig) for SFA 10
- Between 28 and 65 bar (406 and 943 psig) for SFA 10H
- Between 10 and 40 bar (145 and 580 psig) for SFA 15/SFA 15 – 50

Standard pressure setting valves having "TUV Pressure Setting Certificate" with each valve, are also available.

Features & benefits

- SFA 10 and SFA 15 applicable for the refrigerants HCFC, HFC, HC, R717 (Ammonia), R744 (CO₂)
- SFA 10H applicable for CO₂ and Ammonia with POE and PAG oil
- Easy installation by threaded connections and Union fitted welding nipples
- Wide capacity range
- Stable set-point and reliable resetting
- Leak proof internal and external
- Easy selection by use of Cool selector
- Available with or without TÜV pressure setting certificate

Media

Refrigerants

SFA 10 and SFA 15 are with CR O-ring and applicable for the refrigerants HCFC, HFC, HC, R717 (Ammonia), R744 (CO₂) within a temperature range of -50 °C – 100 °C (-58 °F – 212 °F) and a set pressure not lower than -30 °C (-22 °F) saturation temperature.

SFA 10H is with EPDM O-ring and applicable for CO₂ and Ammonia with POE and PAG oil only within a temperature range of -50 °C – 100 °C (-58 °F – 212 °F).

New refrigerants

Danfoss products are continually evaluated for use with new refrigerants depending on market requirements.

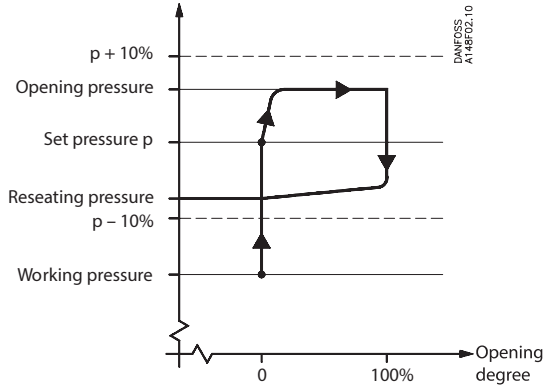
When a refrigerant is approved for use by Danfoss, it is added to the relevant portfolio, and the R number of the refrigerant (e.g. R513A) will be added to the technical data of the code number. Therefore, products for specific refrigerants are best checked at

store.danfoss.com/en/, or by contacting your local Danfoss representative.

Product details

Design

Figure: SFA pressure relief



SFA is designed as a direct loaded safety valve recommended particularly for refrigeration applications. On a rise in pressure above the set pressure, the safety relief valve will initially start opening slightly, to minimize the outlet of refrigerant.

If the pressure continues to increase, the valve will open fully. The safety relief valve will be fully open before the pressure is 10% higher than set pressure and fully closed before the pressure is 10% below set pressure.

Materials

Housing

Made of special steel approved for low temperature operation. Spindle, cone, and seat are made of stainless steel, to ensure precise operation even during extraordinary conditions.

Material specification SFA 10 and SFA 10H

Figure: SFA 10 and SFA 10H

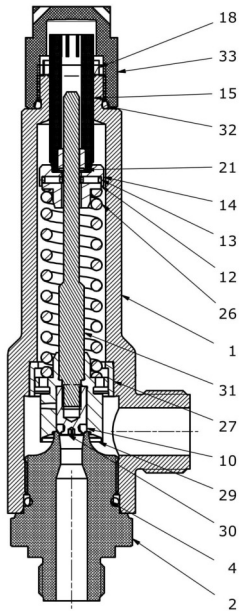


Table: Material and parts list

No.	Part	Material	DIN	ISO	ASTM
1	Bonnet long version	Steel, Carbon	P285QH	-	-
2	Inlet body, SFA 10	Stainless Steel, Austenitic	X5CrNi 18-10	-	AISI 304
4	O-ring 25.07 x 2.62 CR	Chloroprene	-	-	-
10	O-ring 6.02 x 2.62 CR	SFA 10 Chloroprene SFA 10H EPDM	-	-	-
12	Lower bearing retainer	Stainless Steel, Austenitic	X8CrNiS18-9	-	AISI 303
13	Needle roller thrust bearings	Stainless Steel	SUS304-JIS G4305 G102Cr18Mo-GB/T3086	-	AISI 304
14	Top bearing retainer	Stainless Steel, Austenitic	X8CrNiS18-9	-	AISI 303
15	Adjusting screw	Stainless Steel	X5CrNi 18-10	-	AISI 304
18	Locknut SFA 10	Steel	11SMn30	-	-
21	Bushing PTFE	Polystyrene, High Impact	-	-	-
26	Spring	Steel	-	-	-
27	Bushing SFA 10	Stainless Steel	X2CrNiMo17	-	AISI 316L
29	Cone for SFA 10	Stainless Steel	X5CrNi 18-10	-	AISI 304
30	O-ring Lock screw	Stainless Steel	X5CrNi 18-10	-	AISI 304
31	Spindle SFA 10	Stainless Steel	X5CrNi 18-10	-	AISI 304
32	O-ring 19.30 x 2.40	Chloroprene	-	-	-
33	Cap on SFA 10	Stainless Steel	X5CrNi 18-10	-	AISI 304

Material specification SFA 15 and SFA 15-50

Figure: SFA 15 and SFA 15-50

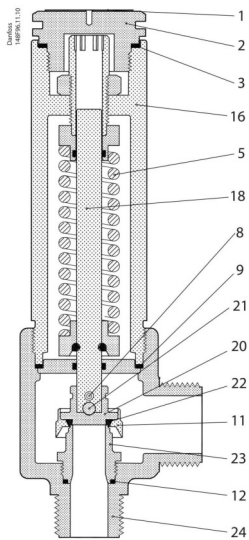


Table: Material and parts list

No.	Part	Material	DIN	ISO	ASTM
1	Marking label	Stainless steel	-	-	-
2	Threaded plug	Steel	-	-	-
3	Packing washer	Aluminium (non-asbestos gasket)	-	-	-
5	Spring	Steel	Class C, DIN17223	-	-
8	Split	Steel	94 ELFORZ	-	-
9	Packing washer	Aluminium (non-asbestos gasket)	-	-	-
11	Retainer	Stainless steel	X8CrNiS 18-9	-	AISI 303, A276
12	Packing washer	Aluminium (non-asbestos gasket)	-	-	-
16	Valve top	Steel	G20Mn5QT Alt. S235JRG2 Alt. S355J2G3	Fe360BFN Fe510D1	LCC, A352 A284C A572-50
18	Valve spindle	Stainless steel	X5CrNi 18-10	-	AISI 304, A276
20	Valve cone	Stainless steel	X8CrNiS 18-9	-	AISI 303, A276
21	Steel ball	Steel	-	-	-
22	Valve cone seal	Chloroprene (Neoprene)	-	-	-
23	Valve seat	Stainless steel	X8CrNiS 18-9	-	AISI 303, A276
24	Valve housing	Steel	G20Mn5QT Alt. P285QH	-	LCC, A352 LF2, A350

Capacity

For specific calculations please refer to Danfoss [Coolselector®2](#)

The design and construction of the safety relief valve have been tested and approved by TÜV. This test comprises control of the function of the valve as well as measuring of the capacity, which is the basis of the curves and tables on the following pages. The values in the table are based on saturated gas.

If e.g. back pressure or superheated gas have to be taken into consideration, the formulas or the Danfoss computation program ([Coolselector®2](#)) can be used.

Table: SFA valve characteristics

Valve	Nominal size		Flow diameter d_o	Flow area A_o	De-rated, certified co- efficient of discharge K_{dr}	Effective discharge area $A_o \times K_{dr}$
	Inlet	Outlet				
SFA 10 and SFA 10H	10 mm	15 mm	6.8 mm	36.3 mm ²	0.85	30.9 mm ²
	3/8 inch	1/2 inch	0.268 inch	0.056 in ²		0.048 in ²
SFA 15	15 mm	20 mm	13 mm	133 mm ²	0.73	97 mm ²
	1/2 inch	3/4 inch	0.512 inch	0.206 in ²		0.150 in ²
SFA 15-50	15 mm	20 mm	13 mm	133 mm ²	0.39	52 mm ²
	1/2 inch	3/4 inch	0.512 inch	0.206 in ²		0.080 in ²

The discharge capacity of the safety relief valve is based on (ISO 4126-1 / EN 1313 6).

$$q_m = 0.2883 \times C \times A_o \times K_{dr} \times K_b \sqrt{\frac{p}{v}}$$

q_m	Discharge capacity (kg/h)
C	Discharge function depending of the actual refrigerant (κ) see Table: Properties of refrigerants
A_o	Flow area of the safety relief valve (mm ²)
K_{dr}	De-rated coefficient of discharge ($K_{dr} = K_d \times 0.9$), (the K_{dr} is certified by TÜV) see Table: SFA valve characteristics
K_b	Correction factor for sub-critical flow (-). $K_b = 1.0$ when the back pressure is lower than approx. $0.5 \times$ relieving pressure ($P_b < 0.5 \times p$). For all SFV safety valves $K_b = 1.0$
v	Specific volume of the vapour at the relieving pressure p . (m ³ /kg)
p_{set}	Set pressure, the predetermined pressure at which a pressure relief valve under operation starts to open (pset is indicated on the metal plate on the safety relief valve)
p_{atm}	Atmospheric pressure (1 bar)
p	Relieving pressure, $p = p_{set} \times 1.1 + P_{atm}$ (bar absolute)

For further details see the above-mentioned ISO or EN standards.

Table: Properties of refrigerants

Refrigerant	Isentropic exponent κ	Discharge function C
R22	1.17	2.54
R134a	1.12	2.50
R404A	1.12	2.49
R410A	1.17	2.54
R717 (Ammonia)	1.31	2.64
R744 (CO ₂)	1.30	2.63
Air	1.40	2.70



Figure: SFA 10 and SFA 10H Capacity / set pressure graph

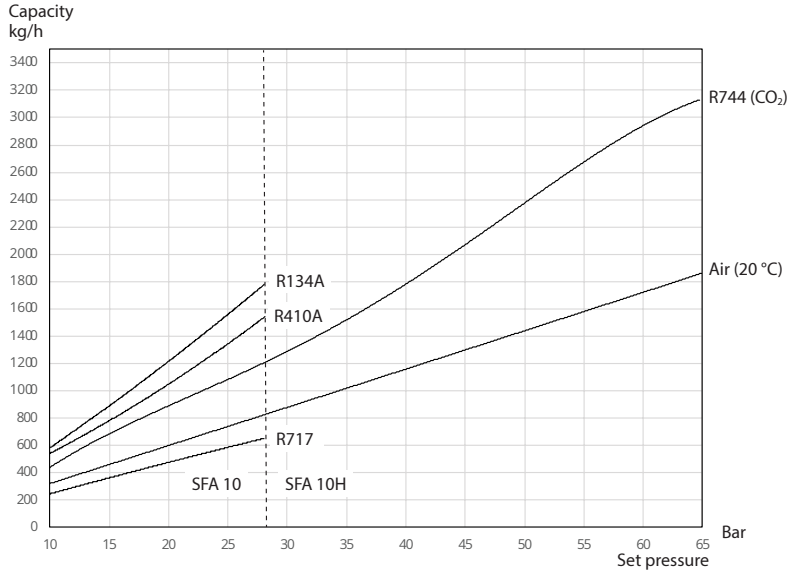


Table: SFA 10 and SFA 10H Capacity / set pressure

Set pressure	qm	R134a	R410A	R717	R744 (CO ₂)	Air (20 °C)
10 bar	kg/h	595.1	533.4	248.3	453.2	315.3
145 psig	lb/min	22.0	19.7	9.2	16.8	11.7
15 bar	kg/h	889.0	791.2	361.7	662.7	460.5
218 psig	lb/min	32.9	29.3	13.4	24.5	17.0
20 bar	kg/h	1208	1064	476.8	877.6	605.8
290 psig	lb/min	44.7	39.4	17.6	32.5	22.4
25 bar	kg/h	1567	1359	593.9	1099	751.0
363 psig	lb/min	58.0	50.3	22.0	40.7	27.8
30 bar	kg/h			697.4	1299	875.1
435 psig	lb/min			25.6	48.1	32.4
35 bar	kg/h			817.2	1535	1017
508 psig	lb/min			30.1	56.9	37.7
40 bar	kg/h			940.2	1784	1159
580 psig	lb/min			34.5	66.1	42.9
45 bar	kg/h			1067	2050	1301
653 psig	lb/min			39.2	75.9	48.2
50 bar	kg/h			1197	2341	1442
725 psig	lb/min			44.0	86.7	53.4
55 bar	kg/h			1333	2668	1584
798 psig	lb/min			49.0	98.8	58.7
60 bar	kg/h			1474	2994	1756
870 psig	lb/min			54.1	110.9	65.0
65 bar	kg/h			1621	3115	1868
943 psig	lb/min			59.6	115.4	69.2



Figure: SFA 15 Capacity / set pressure

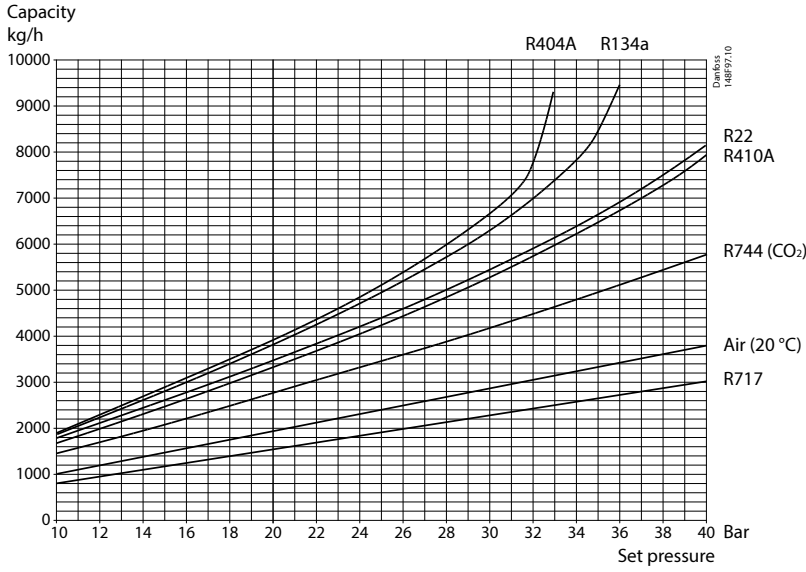


Table: SFA 15 Capacity / set pressure

Set pressure	qm	R22	R134a	R404A	R410A	R717	R744 (CO ₂)	Air (20 °C)
10 bar	kg/h	1749	1881	1888	1652	779	1424	1003
145 psig	lb/min	64	69	69	61	29	52	37
15 bar	kg/h	2592	2793	2842	2459	1135	2072	1462
218 psig	lb/min	95	103	104	90	42	76	54
20 bar	kg/h	3471	3804	3883	3305	1492	2747	1922
290 psig	lb/min	128	140	143	121	55	101	71
25 bar	kg/h	4409	4921	5101	4248	1853	3441	2381
363 psig	lb/min	162	181	187	156	68	126	87
30 bar	kg/h	5437	6269	6659	5250	2227	4163	2841
435 psig	lb/min	200	230	245	193	82	153	104
35 bar	kg/h	6633	8370		6450	2608	4936	3301
508 psig	lb/min	244	308		237	96	181	121
40 bar	kg/h	8104			7911	2989	5718	3760
580 psig	lb/min	298			291	110	210	138



Figure: SFA 15-50 Capacity / set pressure

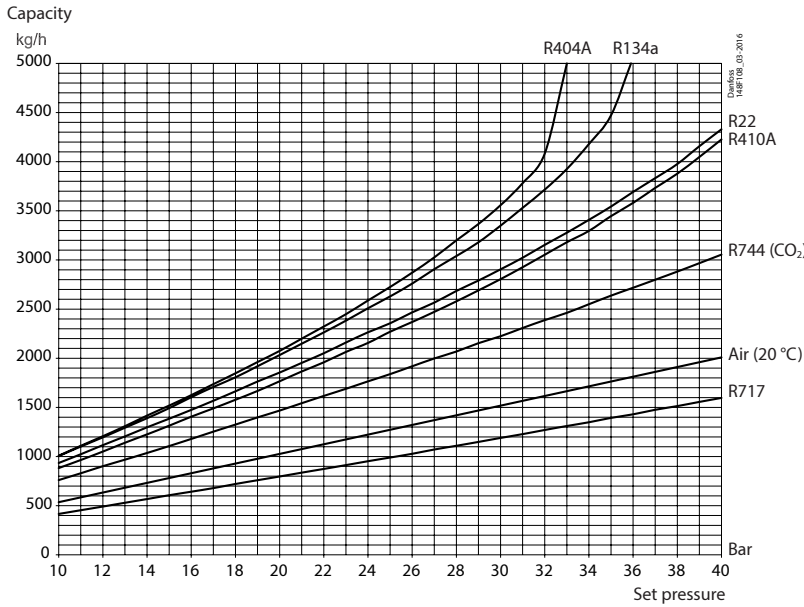


Table: SFA 15-50 Capacity / set pressure

Set pressure	qm	R22	R134a	R404A	R410A	R717	R744 (CO ₂)	Air (20 °C)
10 bar	kg/h	935	1005	1009	883	416	761	536
145 psig	lb/min	34	37	37	32	15	28	20
15 bar	kg/h	1385	1492	1519	1314	607	1107	781
218 psig	lb/min	51	55	56	48	22	41	29
20 bar	kg/h	1854	2033	2075	1766	797	1468	1027
290 psig	lb/min	68	75	76	65	29	54	38
25 bar	kg/h	2356	2629	2725	2270	990	1838	1272
363 psig	lb/min	87	97	100	83	36	68	47
30 bar	kg/h	2905	3349	3557	2805	1190	2224	1518
435 psig	lb/min	107	123	131	103	44	82	56
35 bar	kg/h	3544	4472		3446	1393	2637	1763
508 psig	lb/min	130	164		127	51	97	65
40 bar	kg/h	4329			4226	1597	3055	2009
580 psig	lb/min	159			155	59	112	74

Dimensions

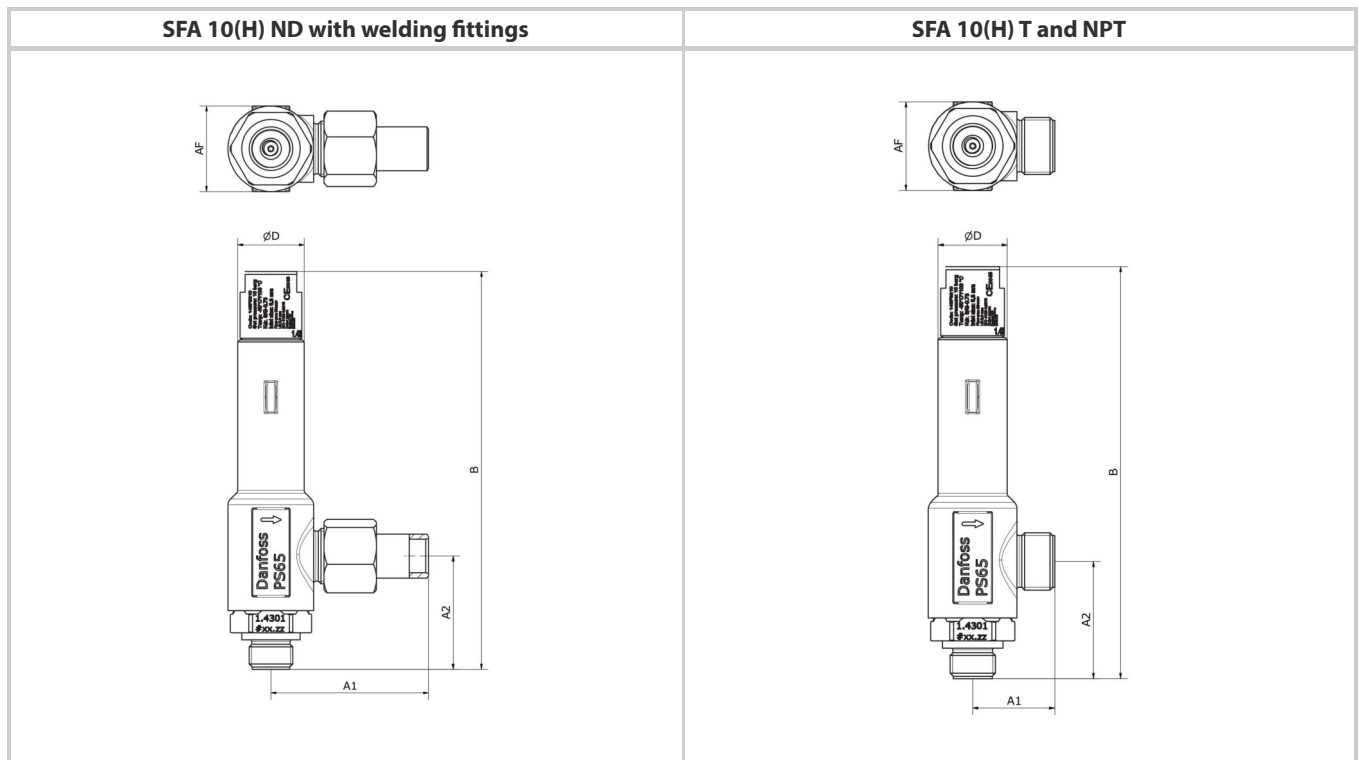


Table: Valve sizes and weight

Valve	size	A1	A2	B	ØD	AF	Weight
SFA 10 T	mm	38	54	175	32	41	0.95 kg
	in	1.5	2.13	6.89	1.26	1.61	2.1 lbs
SFA 10 ND	mm	76	54	175	32	41	1.25 kg
	in	2.99	2.13	6.89	1.26	1.61	2.75 lbs
SFA 10 NPT	mm	42	64	185	32	41	0.95 kg
	in	1.73	2.52	7.28	1.26	1.61	2.1 lbs
SFA 10H T	mm	38	54	191	32	41	1.1 kg
	in	1.5	2.13	7.52	1.26	1.61	2.42 lbs
SFA 10H ND	mm	76	54	191	32	41	1.4 kg
	in	2.99	2.13	7.52	1.26	1.61	3.1 lbs
SFA 10H NPT	mm	42	64	201	32	41	1.1 kg
	in	1.73	2.52	7.91	1.26	1.61	2.42 lbs

NOTE:

Specified weights are approximate values only.

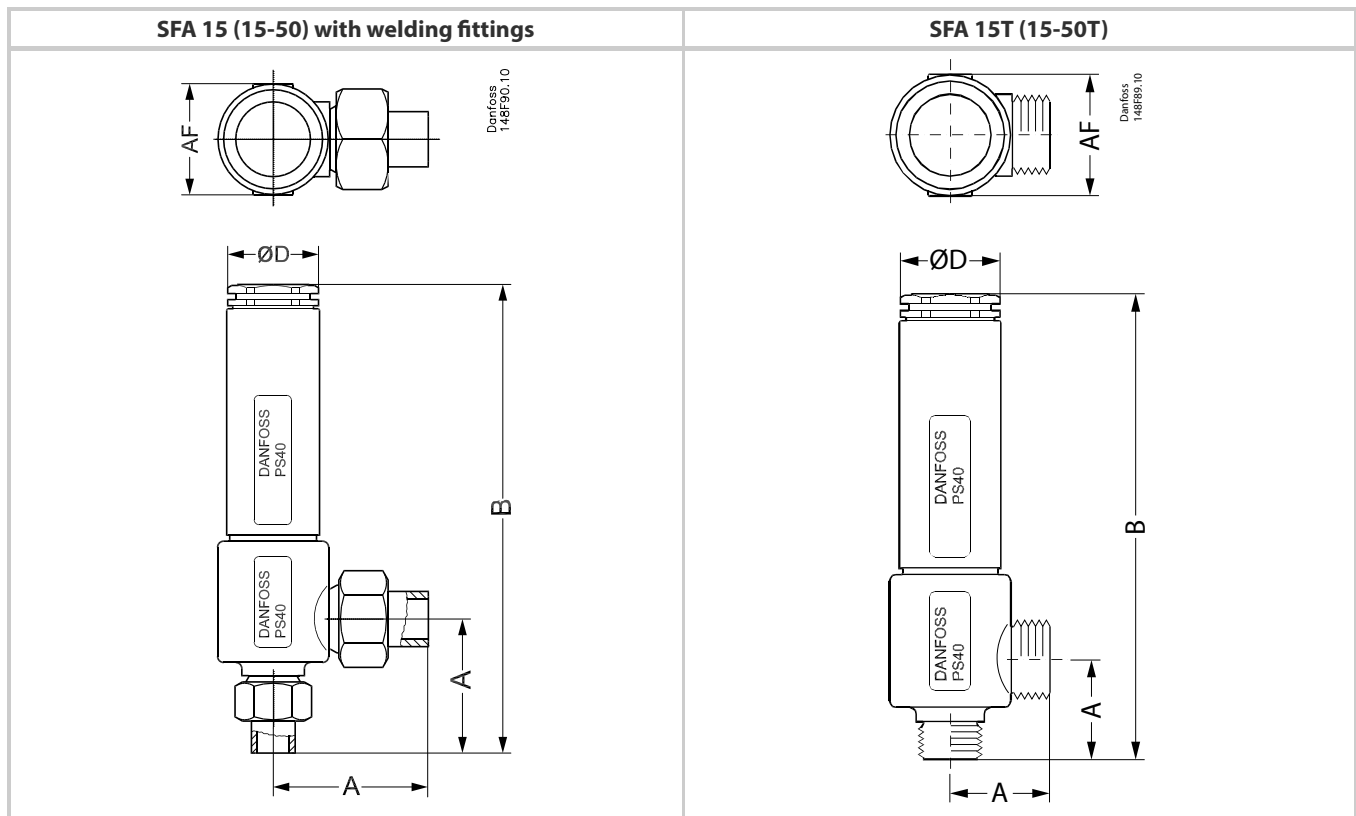


Table: Valve sizes and weight

Valve size		A	B	ØD	AF	Weight
SFA 15T (15-50T), with threaded connections ISO 228/1 pipe threads						
SFA 15T (15-50T) (½ inch)	mm	45	210	45	55	2.2 kg
	in	1.77	8.27	1.81	2.17	4.9 lbs
SFA 15 (15-50) with welding fittings, DIN 2448						
SFA 15 (15-50) (½ inch)	mm	83	248	45	55	2.5 kg
	in	3.27	9.76	1.81	2.17	5.5 lbs

NOTE:

Specified weights are approximate values only.

Connections

Available with the following connections:

- Outside pipe thread T (ISO 228/1)
- Welding fittings, outlet (EN 10220)
- NPT male (ANSI/ASME B1.20.1) SFA 10(H) only

Figure: T outside pipe thread

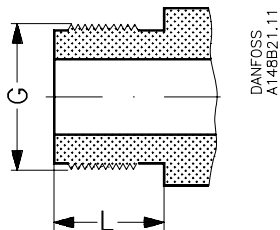
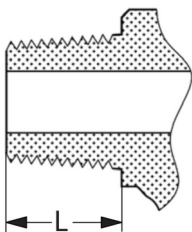


Table: T outside pipe thread, (ISO 228/1)

Type	Size [mm]	Size [in]	Inlet	Outlet	L [mm]	L [in]
SFA 10 and SFA 10H	10	3/8	G 1/2	G 3/4	18	0.71
SFA 15	15	1/2	G 3/4	G 1	15	0.59

Figure 8: NPT outside pipe thread



Type	Size [mm]	Size [in]	Inlet	Outlet	L [mm]	L [in]
SFA 10 and SFA 10H	10	3/8	NPT 1/2	NPT 3/4	24	0.94

Figure: Welding fittings, DIN

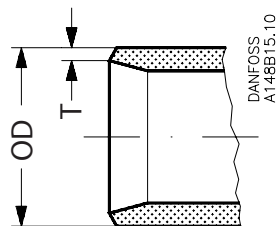


Table: Welding fittings, DIN (2448)

Type	Size		Inlet [mm]		Inlet [in]		Outlet [mm]		Outlet [in]	
	[mm]	[in]	OD	T	OD	T	OD	T	OD	T
SFA 10 and SFA 10H	10	3/8	-	-	-	-	21.1	2.2	0.83	0.087
SFA 15	15	1/2	21.3	2.3	0.839	0.091	26.9	2.3	1.059	0.091

Installation

To ensure exact operation of the safety relief valve it should be installed with the spring housing upwards. When the valve is mounted, it is important to avoid the influence of static, dynamic and thermal stress.

A very precise technique has been applied for the production of the seal. However, this seal can still be damaged, if dirt is blown from the pipe system into the valve.

It is recommended that safety relief valves exhaust into the open air with a U-pipe filled with oil on the discharge branch, to prevent dirt from penetrating into the valve.

In extreme environments it is recommended to use a valve with bellow instead, to protect the valve from refrigerant contaminated with dirt and particles.

It is also recommended that the valves be installed in pairs in conjunction with the double stop valve type DSV10, DSV1 or DSV2. For further information please see the data sheet for DSV.

Re-calibration/servicing

In certain countries the authorities demand that the valves are checked at least once a year (see local rules).

Control/Identification

After adjustment of the set pressure at Danfoss, the valves are sealed. For that reason, Danfoss can only guarantee correct operation, if the seal remains unbroken.

All valves are provided with a metal plate with the following information:

- Flow diameter
- Set pressure
- Date of production
- Production number
- Type approved code

Transport/Handling

The valves are fitted with special protection covers and packed into purpose made transportation cartons.

It is important that the cover remains fitted around the valve until it is installed.

To ensure the exact and precise operation of the valve it must be handled with care.

Ordering

Table: Certified SFA 10 G thread valves with standard set pressure

Size		Type	Set pressure bar [psig]	Code number
[mm]	[in]			
10	$\frac{3}{8}$	SFA 10 T 210	10 (145)	148F4210
10	$\frac{3}{8}$	SFA 10 T 211	11 (160)	148F4211
10	$\frac{3}{8}$	SFA 10 T 212	12 (174)	148F4212
10	$\frac{3}{8}$	SFA 10 T 213	13 (189)	148F4213
10	$\frac{3}{8}$	SFA 10 T 214	14 (203)	148F4214
10	$\frac{3}{8}$	SFA 10 T 215	15 (218)	148F4215
10	$\frac{3}{8}$	SFA 10 T 216	16 (232)	148F4216
10	$\frac{3}{8}$	SFA 10 T 217	17 (247)	148F4217
10	$\frac{3}{8}$	SFA 10 T 218	18 (261)	148F4218
10	$\frac{3}{8}$	SFA 10 T 219	19 (276)	148F4219
10	$\frac{3}{8}$	SFA 10 T 220	20 (290)	148F4220
10	$\frac{3}{8}$	SFA 10 T 221	21 (305)	148F4221
10	$\frac{3}{8}$	SFA 10 T 222	22 (319)	148F4222
10	$\frac{3}{8}$	SFA 10 T 223	23 (334)	148F4223
10	$\frac{3}{8}$	SFA 10 T 224	24 (348)	148F4224
10	$\frac{3}{8}$	SFA 10 T 225	25 (363)	148F4225
10	$\frac{3}{8}$	SFA 10 T 226	26 (377)	148F4226
10	$\frac{3}{8}$	SFA 10 T 227	27 (392)	148F4227
10	$\frac{3}{8}$	SFA 10 T 228	28 (406)	148F4276

Table: Certified SFA 10 G-thread valves with standard set pressure and TÜV pressure setting certificate with each valve

Size		Type	Set pressure bar [psig]	Code number
[mm]	[in]			
10	$\frac{3}{8}$	SFA 10 T 310	10 (145)	148F4310
10	$\frac{3}{8}$	SFA 10 T 311	11 (160)	148F4311
10	$\frac{3}{8}$	SFA 10 T 312	12 (174)	148F4312
10	$\frac{3}{8}$	SFA 10 T 313	13 (189)	148F4313
10	$\frac{3}{8}$	SFA 10 T 314	14 (203)	148F4314
10	$\frac{3}{8}$	SFA 10 T 315	15 (218)	148F4315
10	$\frac{3}{8}$	SFA 10 T 316	16 (232)	148F4316
10	$\frac{3}{8}$	SFA 10 T 317	17 (247)	148F4317
10	$\frac{3}{8}$	SFA 10 T 318	18 (261)	148F4318
10	$\frac{3}{8}$	SFA 10 T 319	19 (276)	148F4319
10	$\frac{3}{8}$	SFA 10 T 320	20 (290)	148F4320
10	$\frac{3}{8}$	SFA 10 T 321	21 (305)	148F4321
10	$\frac{3}{8}$	SFA 10 T 322	22 (319)	148F4322
10	$\frac{3}{8}$	SFA 10 T 323	23 (334)	148F4323
10	$\frac{3}{8}$	SFA 10 T 324	24 (348)	148F4324
10	$\frac{3}{8}$	SFA 10 T 325	25 (363)	148F4325
10	$\frac{3}{8}$	SFA 10 T 326	26 (377)	148F4326
10	$\frac{3}{8}$	SFA 10 T 327	27 (392)	148F4327

Table: Certified SFA 10H G-thread valves with standard set pressure

Size		Type	Set pressure bar [psig]	Code number
[mm]	[in]			
10	$\frac{3}{8}$	SFA 10H T 228	28 (406)	148F4228
10	$\frac{3}{8}$	SFA 10H T 229	29 (421)	148F4229
10	$\frac{3}{8}$	SFA 10H T 230	30 (435)	148F4230
10	$\frac{3}{8}$	SFA 10H T 231	31 (450)	148F4231
10	$\frac{3}{8}$	SFA 10H T 232	32 (464)	148F4232
10	$\frac{3}{8}$	SFA 10H T 233	33 (479)	148F4233
10	$\frac{3}{8}$	SFA 10H T 234	34 (493)	148F4234
10	$\frac{3}{8}$	SFA 10H T 235	35 (508)	148F4235
10	$\frac{3}{8}$	SFA 10H T 236	36 (522)	148F4236
10	$\frac{3}{8}$	SFA 10H T 237	37 (537)	148F4237
10	$\frac{3}{8}$	SFA 10H T 238	38 (551)	148F4238
10	$\frac{3}{8}$	SFA 10H T 239	39 (566)	148F4239
10	$\frac{3}{8}$	SFA 10H T 240	40 (580)	148F4240
10	$\frac{3}{8}$	SFA 10H T 241	41 (595)	148F4241
10	$\frac{3}{8}$	SFA 10H T 242	42 (609)	148F4242
10	$\frac{3}{8}$	SFA 10H T 243	43 (624)	148F4243
10	$\frac{3}{8}$	SFA 10H T 244	44 (638)	148F4244
10	$\frac{3}{8}$	SFA 10H T 245	45 (653)	148F4245
10	$\frac{3}{8}$	SFA 10H T 246	46 (667)	148F4246
10	$\frac{3}{8}$	SFA 10H T 247	47 (682)	148F4247
10	$\frac{3}{8}$	SFA 10H T 248	48 (696)	148F4248
10	$\frac{3}{8}$	SFA 10H T 249	49 (711)	148F4249
10	$\frac{3}{8}$	SFA 10H T 250	50 (725)	148F4250
10	$\frac{3}{8}$	SFA 10H T 251	51 (740)	148F4251
10	$\frac{3}{8}$	SFA 10H T 252	52 (754)	148F4252
10	$\frac{3}{8}$	SFA 10H T 253	53 (769)	148F4253
10	$\frac{3}{8}$	SFA 10H T 254	54 (783)	148F4254
10	$\frac{3}{8}$	SFA 10H T 255	55 (798)	148F4255
10	$\frac{3}{8}$	SFA 10H T 256	56 (812)	148F4256
10	$\frac{3}{8}$	SFA 10H T 257	57 (827)	148F4257
10	$\frac{3}{8}$	SFA 10H T 258	58 (841)	148F4258
10	$\frac{3}{8}$	SFA 10H T 259	59 (856)	148F4259
10	$\frac{3}{8}$	SFA 10H T 260	60 (870)	148F4260
10	$\frac{3}{8}$	SFA 10H T 261	61 (885)	148F4261
10	$\frac{3}{8}$	SFA 10H T 262	62 (899)	148F4262
10	$\frac{3}{8}$	SFA 10H T 263	63 (914)	148F4263
10	$\frac{3}{8}$	SFA 10H T 264	64 (928)	148F4264
10	$\frac{3}{8}$	SFA 10H T 265	65 (943)	148F4265

Table: Certified SFA 10H G-thread valves with standard set pressure and TÜV pressure setting certificate with each valve

Size		Type	Set pressure bar [psig]	Code number
[mm]	[in]			
10	$\frac{3}{8}$	SFA 10H T 328	28 (406)	148F4328
10	$\frac{3}{8}$	SFA 10H T 329	29 (421)	148F4329
10	$\frac{3}{8}$	SFA 10H T 330	30 (435)	148F4330
10	$\frac{3}{8}$	SFA 10H T 331	31 (450)	148F4331
10	$\frac{3}{8}$	SFA 10H T 332	32 (464)	148F4332
10	$\frac{3}{8}$	SFA 10H T 333	33 (479)	148F4333
10	$\frac{3}{8}$	SFA 10H T 334	34 (493)	148F4334
10	$\frac{3}{8}$	SFA 10H T 335	35 (508)	148F4335
10	$\frac{3}{8}$	SFA 10H T 336	36 (522)	148F4336
10	$\frac{3}{8}$	SFA 10H T 337	37 (537)	148F4337
10	$\frac{3}{8}$	SFA 10H T 338	38 (551)	148F4338
10	$\frac{3}{8}$	SFA 10H T 339	39 (566)	148F4339
10	$\frac{3}{8}$	SFA 10H T 340	40 (580)	148F4340
10	$\frac{3}{8}$	SFA 10H T 341	41 (595)	148F4341
10	$\frac{3}{8}$	SFA 10H T 342	42 (609)	148F4342
10	$\frac{3}{8}$	SFA 10H T 343	43 (624)	148F4343
10	$\frac{3}{8}$	SFA 10H T 344	44 (638)	148F4344
10	$\frac{3}{8}$	SFA 10H T 345	45 (653)	148F4345
10	$\frac{3}{8}$	SFA 10H T 346	46 (667)	148F4346
10	$\frac{3}{8}$	SFA 10H T 347	47 (682)	148F4347
10	$\frac{3}{8}$	SFA 10H T 348	48 (696)	148F4348
10	$\frac{3}{8}$	SFA 10H T 349	49 (711)	148F4349
10	$\frac{3}{8}$	SFA 10H T 350	50 (725)	148F4350
10	$\frac{3}{8}$	SFA 10H T 351	51 (740)	148F4351
10	$\frac{3}{8}$	SFA 10H T 352	52 (754)	148F4352
10	$\frac{3}{8}$	SFA 10H T 353	53 (769)	148F4353
10	$\frac{3}{8}$	SFA 10H T 354	54 (783)	148F4354
10	$\frac{3}{8}$	SFA 10H T 355	55 (798)	148F4355
10	$\frac{3}{8}$	SFA 10H T 356	56 (812)	148F4356
10	$\frac{3}{8}$	SFA 10H T 357	57 (827)	148F4357
10	$\frac{3}{8}$	SFA 10H T 358	58 (841)	148F4358
10	$\frac{3}{8}$	SFA 10H T 359	59 (856)	148F4359
10	$\frac{3}{8}$	SFA 10H T 360	60 (870)	148F4360
10	$\frac{3}{8}$	SFA 10H T 361	61 (885)	148F4361
10	$\frac{3}{8}$	SFA 10H T 362	62 (899)	148F4362
10	$\frac{3}{8}$	SFA 10H T 363	63 (914)	148F4363
10	$\frac{3}{8}$	SFA 10H T 364	64 (928)	148F4364
10	$\frac{3}{8}$	SFA 10H T 365	65 (943)	148F4365

Table: Certified SFA 10 NPT valves with standard set pressure

Size		Type	Set pressure bar [psig]	Code number
[mm]	[in]			
10	$\frac{3}{8}$	SFA 10 NPT 213	13 (189)	148F5213
10	$\frac{3}{8}$	SFA 10 NPT 216	16 (232)	148F5216
10	$\frac{3}{8}$	SFA 10 NPT 217	17 (247)	148F5217
10	$\frac{3}{8}$	SFA 10 NPT 218	18 (261)	148F5218
10	$\frac{3}{8}$	SFA 10 NPT 220	20 (290)	148F5220
10	$\frac{3}{8}$	SFA 10 NPT 221	21 (305)	148F5221
10	$\frac{3}{8}$	SFA 10 NPT 222	22 (319)	148F5222
10	$\frac{3}{8}$	SFA 10 NPT 224	24 (348)	148F5224
10	$\frac{3}{8}$	SFA 10 NPT 225	25 (363)	148F5225

Table: Certified SFA 10 NPT valves with standard set pressure + DSV 10 NPT

Size		Type	Set pressure bar [psig]	Code number
[mm]	[in]			
10	$\frac{3}{8}$	SFA 10/DSV 10 NPT 213	13 (189)	148F6313
10	$\frac{3}{8}$	SFA 10/DSV 10 NPT 216	16 (232)	148F6316
10	$\frac{3}{8}$	SFA 10/DSV 10 NPT 217	17 (247)	148F6317
10	$\frac{3}{8}$	SFA 10/DSV 10 NPT 218	18 (261)	148F6318
10	$\frac{3}{8}$	SFA 10/DSV 10 NPT 220	20 (290)	148F6320
10	$\frac{3}{8}$	SFA 10/DSV 10 NPT 221	21 (305)	148F6321
10	$\frac{3}{8}$	SFA 10/DSV 10 NPT 222	22 (319)	148F6322
10	$\frac{3}{8}$	SFA 10/DSV 10 NPT 224	24 (348)	148F6324
10	$\frac{3}{8}$	SFA 10/DSV 10 NPT 225	25 (363)	148F6325

Table: Certified SFA 10H NPT valves with standard set pressure

Size		Type	Set pressure bar [psig]	Code number
mm	in.			
10	$\frac{3}{8}$	SFA 10H NPT 228	28 (406)	148F5228
10	$\frac{3}{8}$	SFA 10H NPT 232	32 (464)	148F5232
10	$\frac{3}{8}$	SFA 10H NPT 235	35 (508)	148F5235
10	$\frac{3}{8}$	SFA 10H NPT 238	38 (551)	148F5238
10	$\frac{3}{8}$	SFA 10H NPT 240	40 (580)	148F5240
10	$\frac{3}{8}$	SFA 10H NPT 250	50 (725)	148F5250
10	$\frac{3}{8}$	SFA 10H NPT 252	52 (754)	148F5252
10	$\frac{3}{8}$	SFA 10H NPT 260	60 (870)	148F5260
10	$\frac{3}{8}$	SFA 10H NPT 265	65 (943)	148F5265

Table: Certified SFA 10H NPT valves with standard set pressure + DSV 10 NPT

Size		Type	Set pressure bar [psig]	Code number
[mm]	[in]			
10	$\frac{3}{8}$	SFA 10H/DSV 10 NPT 228	28 (406)	148F6328
10	$\frac{3}{8}$	SFA 10H/DSV 10 NPT 232	32 (464)	148F6332
10	$\frac{3}{8}$	SFA 10H/DSV 10 NPT 235	35 (508)	148F6335
10	$\frac{3}{8}$	SFA 10H/DSV 10 NPT 238	38 (551)	148F6338
10	$\frac{3}{8}$	SFA 10H/DSV 10 NPT 240	40 (580)	148F6340
10	$\frac{3}{8}$	SFA 10H/DSV 10 NPT 250	50 (725)	148F6350
10	$\frac{3}{8}$	SFA 10H/DSV 10 NPT 252	52 (754)	148F6352
10	$\frac{3}{8}$	SFA 10H/DSV 10 NPT 260	60 (870)	148F6360
10	$\frac{3}{8}$	SFA 10H/DSV 10 NPT 265	65 (943)	148F6365

Table: Certified SFA 15 T valves with standard set pressure

Size		Type	Set pressure bar [psig]	Code number
[mm]	[in]			
15	½	SFA 15 T 210	10 (145)	148F3210
15	½	SFA 15 T 211	11 (160)	148F3211
15	½	SFA 15 T 212	12 (174)	148F3212
15	½	SFA 15 T 213	13 (189)	148F3213
15	½	SFA 15 T 214	14 (203)	148F3214
15	½	SFA 15 T 215	15 (218)	148F3215
15	½	SFA 15 T 216	16 (232)	148F3216
15	½	SFA 15 T 217	17 (247)	148F3217
15	½	SFA 15 T 218	18 (261)	148F3218
15	½	SFA 15 T 219	19 (276)	148F3219
15	½	SFA 15 T 220	20 (290)	148F3220
15	½	SFA 15 T 221	21 (305)	148F3221
15	½	SFA 15 T 222	22 (319)	148F3222
15	½	SFA 15 T 223	23 (334)	148F3223
15	½	SFA 15 T 224	24 (348)	148F3224
15	½	SFA 15 T 225	25 (363)	148F3225
15	½	SFA 15 T 226	26 (377)	148F3226
15	½	SFA 15 T 227	27 (392)	148F3227
15	½	SFA 15 T 228	28 (406)	148F3228
15	½	SFA 15 T 229	29 (421)	148F3229
15	½	SFA 15 T 230	30 (435)	148F3230
15	½	SFA 15 T 231	31 (450)	148F3231
15	½	SFA 15 T 232	32 (464)	148F3232
15	½	SFA 15 T 233	33 (479)	148F3233
15	½	SFA 15 T 234	34 (493)	148F3234
15	½	SFA 15 T 235	35 (508)	148F3235
15	½	SFA 15 T 236	36 (522)	148F3236
15	½	SFA 15 T 237	37 (537)	148F3237
15	½	SFA 15 T 238	38 (551)	148F3238
15	½	SFA 15 T 239	39 (566)	148F3239
15	½	SFA 15 T 240	40 (580)	148F3240

Table: Certified SFA 15 T valves with standard set pressure and TÜV pressure setting certificate with each valve

Size		Type	Set pressure bar [psig]	Code number
[mm]	[in]			
15	½	SFA 15 T 310	10 (145)	148F3310
15	½	SFA 15 T 311	11 (160)	148F3311
15	½	SFA 15 T 312	12 (174)	148F3312
15	½	SFA 15 T 313	13 (189)	148F3313
15	½	SFA 15 T 314	14 (203)	148F3314
15	½	SFA 15 T 315	15 (218)	148F3315
15	½	SFA 15 T 316	16 (232)	148F3316
15	½	SFA 15 T 317	17 (247)	148F3317
15	½	SFA 15 T 318	18 (261)	148F3318
15	½	SFA 15 T 319	19 (276)	148F3319
15	½	SFA 15 T 320	20 (290)	148F3320
15	½	SFA 15 T 321	21 (305)	148F3321
15	½	SFA 15 T 322	22 (319)	148F3322
15	½	SFA 15 T 323	23 (334)	148F3323
15	½	SFA 15 T 324	24 (348)	148F3324
15	½	SFA 15 T 325	25 (363)	148F3325
15	½	SFA 15 T 326	26 (377)	148F3326
15	½	SFA 15 T 327	27 (392)	148F3327
15	½	SFA 15 T 328	28 (406)	148F3328
15	½	SFA 15 T 329	29 (421)	148F3329
15	½	SFA 15 T 330	30 (435)	148F3330
15	½	SFA 15 T 331	31 (450)	148F3331
15	½	SFA 15 T 332	32 (464)	148F3332
15	½	SFA 15 T 333	33 (479)	148F3333
15	½	SFA 15 T 334	34 (493)	148F3334
15	½	SFA 15 T 335	35 (508)	148F3335
15	½	SFA 15 T 336	36 (522)	148F3336
15	½	SFA 15 T 337	37 (537)	148F3337
15	½	SFA 15 T 338	38 (551)	148F3338
15	½	SFA 15 T 339	39 (566)	148F3339
15	½	SFA 15 T 340	40 (580)	148F3340

Table: Certified SFA 15-50 T valves with standard set pressure

Size		Type	Set pressure bar [psig]	Code number
[mm]	[in]			
15	½	SFA 15-50 T 210	10 (145)	148F4000
15	½	SFA 15-50 T 211	11 (160)	148F4001
15	½	SFA 15-50 T 212	12 (174)	148F4002
15	½	SFA 15-50 T 213	13 (189)	148F4003
15	½	SFA 15-50 T 214	14 (203)	148F4004
15	½	SFA 15-50 T 215	15 (218)	148F4005
15	½	SFA 15-50 T 216	16 (232)	148F4006
15	½	SFA 15-50 T 217	17 (247)	148F4007
15	½	SFA 15-50 T 218	18 (261)	148F4008
15	½	SFA 15-50 T 219	19 (276)	148F4009
15	½	SFA 15-50 T 220	20 (290)	148F4010
15	½	SFA 15-50 T 221	21 (305)	148F4011
15	½	SFA 15-50 T 222	22 (319)	148F4012
15	½	SFA 15-50 T 223	23 (334)	148F4013
15	½	SFA 15-50 T 224	24 (348)	148F4014
15	½	SFA 15-50 T 225	25 (363)	148F4015
15	½	SFA 15-50 T 226	26 (377)	148F4016
15	½	SFA 15-50 T 227	27 (392)	148F4017
15	½	SFA 15-50 T 228	28 (406)	148F4018
15	½	SFA 15-50 T 229	29 (421)	148F4019
15	½	SFA 15-50 T 230	30 (435)	148F4020
15	½	SFA 15-50 T 231	31 (450)	148F4021
15	½	SFA 15-50 T 232	32 (464)	148F4022
15	½	SFA 15-50 T 233	33 (479)	148F4023
15	½	SFA 15-50 T 234	34 (493)	148F4024
15	½	SFA 15-50 T 235	35 (508)	148F4025
15	½	SFA 15-50 T 236	36 (522)	148F4026
15	½	SFA 15-50 T 237	37 (537)	148F4027
15	½	SFA 15-50 T 238	38 (551)	148F4028
15	½	SFA 15-50 T 239	39 (566)	148F4029
15	½	SFA 15-50 T 240	40 (580)	148F4030

Table: Certified SFA 15-50 T valves with standard set pressure and TÜV pressure setting certificate with each valve

Size		Type	Set pressure bar [psig]	Code number
[mm]	[in]			
15	½	SFA 15-50 T 310	10 (145)	148F4100
15	½	SFA 15-50 T 311	11 (160)	148F4101
15	½	SFA 15-50 T 312	12 (174)	148F4102
15	½	SFA 15-50 T 313	13 (189)	148F4103
15	½	SFA 15-50 T 314	14 (203)	148F4104
15	½	SFA 15-50 T 315	15 (218)	148F4105
15	½	SFA 15-50 T 316	16 (232)	148F4106
15	½	SFA 15-50 T 317	17 (247)	148F4107
15	½	SFA 15-50 T 318	18 (261)	148F4108
15	½	SFA 15-50 T 319	19 (276)	148F4109
15	½	SFA 15-50 T 320	20 (290)	148F4110
15	½	SFA 15-50 T 321	21 (305)	148F4111
15	½	SFA 15-50 T 322	22 (319)	148F4112
15	½	SFA 15-50 T 323	23 (334)	148F4113
15	½	SFA 15-50 T 324	24 (348)	148F4114
15	½	SFA 15-50 T 325	25 (363)	148F4115
15	½	SFA 15-50 T 326	26 (377)	148F4116
15	½	SFA 15-50 T 327	27 (392)	148F4117
15	½	SFA 15-50 T 328	28 (406)	148F4118
15	½	SFA 15-50 T 329	29 (421)	148F4119
15	½	SFA 15-50 T 330	30 (435)	148F4120
15	½	SFA 15-50 T 331	31 (450)	148F4121
15	½	SFA 15-50 T 332	32 (464)	148F4122
15	½	SFA 15-50 T 333	33 (479)	148F4123
15	½	SFA 15-50 T 334	34 (493)	148F4124
15	½	SFA 15-50 T 335	35 (508)	148F4125
15	½	SFA 15-50 T 336	36 (522)	148F4126
15	½	SFA 15-50 T 337	37 (537)	148F4127
15	½	SFA 15-50 T 338	38 (551)	148F4128
15	½	SFA 15-50 T 339	39 (566)	148F4129
15	½	SFA 15-50 T 340	40 (580)	148F4130

Table: Accessories

Type	Code number
DSV/SFA/SFV Non-stick grease	148F3064
DSV 10 Cap and alu gasket for testing (1 set)	148F3063
DSV 10 T Plug ½" NPT (1 set)	148F3072
SFA 10(H) G Inlet weld connector	148F3075
SFA 10(H) NPT Inlet weld connector	148F3076
Nipples + gaskets set for SFA 10(H), SFV 15/SFA 15/SFA 15-50 ⁽¹⁾	148F3019

⁽¹⁾ Weld nipple for SFA 10(H) inlet (G ½") not included in **148F3019**. Order **148F3075** in addition to.

Table: Spare part kits

Type	Code number
SFA 10 (H)/DSV 10 Inspection kit	148F3068
SFA 10 Repair Kit 10 – 27 bar ⁽¹⁾	148F3069
SFA 10H Repair Kit 28 – 65 bar ⁽¹⁾	148F3070
SFA 15/DSV 1 inspection kit	148F3029
Repair kit SFA 15	148F3036
Repair kit SFA 15-50	148F3150

⁽¹⁾ Inspection kit should be ordered with any repair kit.

Certificates, declarations and approvals

The list contains all certificates, declarations, and approvals for this product type. Individual code number may have some or all of these approvals, and certain local approvals may not appear on the list.

When you click on the link you will be directed to the latest version of the 'Declaration of Conformity'. Products developed and sold before this date of issue conform to the directives/standards in force at the time of their sale.

Approval type	Title	Certification body	Approval topic
Pressure Safety Certificate	LLC CDC EURO-TYSK UA.TR.089.1015.01-22	LLC CDC EURO TYSK - Ukraine	Pressure
UA Declaration	Danfoss UA 10-01-2023 Safety Valves PL40	Danfoss	Pressure
Manufacturer's Declaration	Danfoss MD 033F1196.02	Danfoss	ATEX
Manufacturing Permission	AQSIQ TSF700K28-2029	AQSIQ - General Administration for Quality Supervision, Inspection and Quarantine of P.R.C.	TSG
Pressure Safety Certificate	TÜV 0045 202 9120 Z 00055 24 D 000(01)	TÜV NORD - Technischer ÜberwachungsVerein	Pressure
Export Control Declaration	Safety relief valve	Danfoss	
Pressure Safety Certificate	TÜV 0045 202 9120 Z 00448 25 D 001(00)	TÜV NORD - Technischer ÜberwachungsVerein	Pressure
EU Declaration	Danfoss EU 033F0685.AZ	Danfoss	Pressure
Marine Certificate	DNV TAP000000M Rev.3	DNV	Marine
Manufacturer's Declaration	Danfoss MD 033F0691.AK	Danfoss	EU RoHS
Statement of Compliance	IRF (PL40) products Vacuum evacuation	Danfoss	

Table: Compliance

	SFA 10 / SFA 10H	SFA 15
Nominal bore	6.8 mm (¼ inch)	13 mm (0.512 inch)
Classified for	Fluid group I	
Category	IV	

Table: Conformity approvals

	<p>The SFA valves are approved in accordance with the European standard specified in the Pressure Equipment Directive and are CE marked. For further details / restrictions - see Installation guide.</p>
---	---

Contact details

Online support

Danfoss offers a wide range of support along with our products, including digital information, software, mobile apps and expert guidance. See the possibilities below.



The Danfoss Design center

Discover the Design Center, our advanced digital platform that streamlines product selection. With integrated tools and enhanced type pages, it's simpler than ever to access product information and documentation, and to select the right products. Check the availability of Danfoss products at partner locations and enjoy seamless transitions from selection to purchase with our basket-to-basket functionality. Whether you're buying from our distributors or directly from the Product Store, the Design Center simplifies your experience. Learn more at: designcenter.danfoss.com.



The Danfoss product store

The Danfoss Product Store is a one-stop shop available 24/7 for our customers, no matter where you are in the world or what area of industry you work in. Browse our catalog, check product details and documentation, view your prices and product availability, and quickly finalize your purchase. Start browsing at: store.danfoss.com.



Danfoss Partner Portal/Product Data tool

Designed to support you with easy access to product data extracts, essential resources, tools, and information. The Partner Portal provides a centralized hub for product documentation, training materials, marketing assets, and technical support, ensuring you have everything you need to succeed and grow your business with Danfoss. The Partner Portal is available 24/7 at: partner.danfoss.com and is ready to support your business.



Find technical documentation

Find technical documentation you need to get your project up running. Get direct access to our official collection of data sheets, certificates and declarations, manuals and guides, 3D models and drawings, case stories, brochures, and much more. Start searching now at: documentation.danfoss.com.



Danfoss Learning

Danfoss Learning is a free online learning platform. It features courses and materials specifically designed to help engineers, installers, service technicians, and wholesalers better understand the products, applications industry topics, and trends that will help you do your job better. Find your local Danfoss website here: learning.danfoss.com.



Get local information and support

Local Danfoss websites are the main sources for help and information about our company and products. Find product availability, get the latest regional news, or connect with a nearby expert - all in your own language. Find your local Danfoss website here: danfoss.com.

Danfoss A/S

Climate Solutions . danfoss.com . +45 7488 2222

Any information, including, but not limited to information on selection of product, its application or use, product design, weight, dimensions, capacity or any other technical data in product manuals, catalogues description, advertisements, etc. and whether made available in writing, orally, electronically, online or via download, shall be considered informative, and is only binding if and to the extent, explicit reference is made in a quotation or order confirmation. Danfoss cannot accept any responsibility for possible errors in catalogues, brochures, videos and other material. Danfoss reserves the right to alter its products without notice. This also applies to products ordered but not delivered provided that such alterations can be made without changes to form, fit or function of the products. All trademarks in this material are property of Danfoss A/S or Danfoss group companies. Danfoss and the Danfoss logo are trademarks of Danfoss A/S. All rights reserved.
