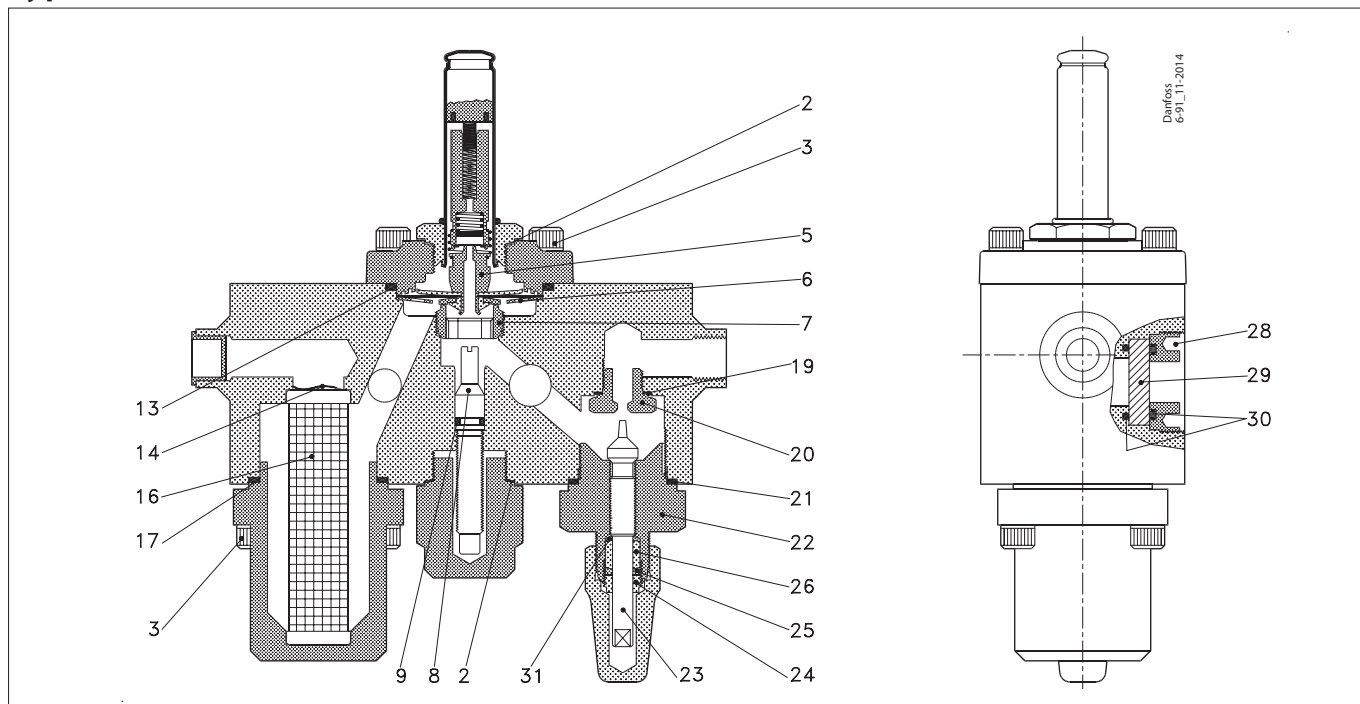


Data sheet – Spare parts and accessories

Block valves
Types BV 1 and BV 2



Description	Pos. #	Qty.	Code no.
Spare part set, DN 10			
Alu gasket, dia.12.0 x dia.16.5 x 0.5 mm	19	1	006-1270
Orifice, dia. 3.0 mm	20	1	
Gasket	21	1	
Stuffing box	22	1	
Spindle, dia. 3.0 mm	23	1	
Packing nut	24	1	
Packing ring	25	1	
Gasket, teflon	26	1	
Disc	31	1	
Spare part set, DN 15			
Alu gasket, dia.12.0 x dia.16.5 x 0.5 mm	19	1	006-1271
Orifice, dia. 6.0 mm	20	1	
Gasket	21	1	
Stuffing box	22	1	
Spindle, dia. 6.0 mm	23	1	
Packing nut	24	1	
Packing ring	25	1	
Gasket, teflon	26	1	
Disc	31	1	

Description	Pos. #	Qty.	Code no.
Spare part set, DN 10/15			
Screws, M6 x 20	3	4	006-1272
Spring washer, dia. 13.2 x dia 18.8 x 0.2 mm	14	1	
Strainer assembly (FA)	16	1	
Gasket dia. 34.5 x dia. 41 x 1.5 mm	17	1	
Spare part set, DN 10/15			
Packing ring	28	1	006-1273
Glas, dia. 25 mm	29	2	
O-ring, dia. 17.12 x dia. 2.62 mm	30	2	
Spare part set, DN 10/15			
Alu gasket, dia. 22.1 x dia. 26.5 x 0.5 mm	2	2	006-1274
Screws, M6 x 20	3	4	
Diaphragm/armature assembly	5	1	
Washer	6	1	
Valve seat	7	1	
Manual operating spindle	8	1	
O-ring, dia. 5.28 x dia. 1.78 mm	9	1	
Rubber gasket, dia. 48.7 x dia. 43.5 x 2.6 mm	13	1	