

# HOYER

MOTORS

## Data sheet

<b>Ref. no.</b>	135 kW B35 CIB	<b>Sales order</b>	SODK-189106
<b>Item no. / Configuration</b>	01 / 3106315-0132-040201-M-049464	<b>Our reference</b>	Frederik Juul Møller
<b>Description</b>	HMC3 315L2-6 400/690 V 50 Hz 132 kW	<b>Date</b>	09-09-2024

General data	
Standard series	IEC 60034
Type	HMC3 315L2-6
Design	400 VD / 690 VY 50 Hz + 480 VD / 830 VY 60 Hz
Direction of rotation	CW
Installation max. altitude (m)	1.000
Poles	6

Motor protection	
Winding temp. detector	No
Temp. detector type	None
Bearing detector	No
Winding PTC main	PTC 3 x 155°C
Winding PTC spare	None
Space heater	None
Terminal board thread	M16
Electrical insulation	Standard (1350 V @ 0.8 µs)
Tropical insulation	No
SPM	N/A
External grounding	Yes
Drain hole	Yes
Rain cap	No

Classification	
Class society	
Shaft requirement acc. to	None
Ex. code	No

Mechanical data	
Frame / Shaft height	IEC 315
Type of construction	B35
Cooling method	IC411
Protection class	IP55
Temp. insulation class	F
Frame material	Cast iron
Keyway	Closed
Balancing	Half key
IEC vibration class	A
Weight (kg)	1.174
Bearing (DE)	6319 / C3 / DGBB
Bearing (NDE)	6319 / C3 / DGBB (CIB)
Fixed bearing	DE
Moment of inertia (kg×m <sup>2</sup> )	5,08
Painting (color)	RAL 9005
Corrosion protection	C3L
Main terminal box pos.	DE top
Main cable entries	Blind cap 2xM63x1.5
Main cable direction	Right from DE
Main cable material	Plastic
Aux. cable entries	Blind cap 2xM20x1.5
Aux. cable direction	NDE
Aux. cable material	Plastic

Winding operation variants			
Rated power (kW)	132	132	
Frequency (Hz)	50	60	
Connection	D/Y	D/Y	
Voltage (V)	400 / 690	480 / 830	
Full load current (A)	229 / 132	190 / 110	
No load current (A)	66,1	66,1	
Speed (rpm)	988	1.185	
Power factor 100/75/50 (%)	0,88 / 0,87 / 0,79	0,88 / 0,87 / 0,79	
Efficiency 100/75/50 (%)	95,1 / 95,6 / 94,7	95,2 / 95,7 / 94,8	
Efficiency class	IE3	IE3	
Full load torque (Nm)	1.276	1.064	
Tst/Tn	2,2	2,64	
Tmax/Tn	2,4	2,88	
Ist/In	6,76	8,17	
Temp. rise class	B	B	
Duty	S1	S1	
Sound pressure level (dBA)	71,1	76	
Min. ambient temp. (°C)	-20°C	-20°C	
Max. ambient temp. (°C)	40°C	40°C	

Data are not binding. Hoyer reserves the right to implement changes without notice. The extent of data are not equivalent to nameplate on the motors.

# HOYER

MOTORS

## Data sheet

Ref. no. 135 kW B35 CIB

Sales order

SODK-189106

Item no. / Configuration 01 / 3106315-0132-040201-M-049464

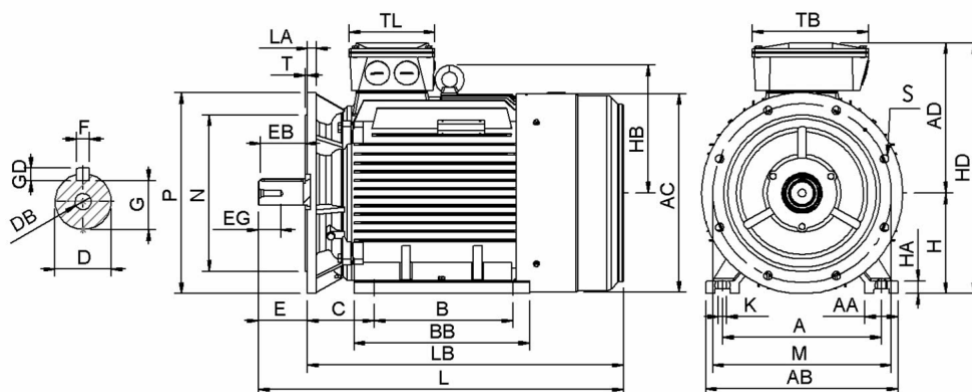
Our reference

Frederik Juul Møller

Description HMC3 315L2-6 400/690 V 50 Hz 132 kW

Date

09-09-2024



A 508,00	AA 120,00	AB 628,00	AC 618,00	AD 546,00	B 508,00	BB 680,00	C 216,00	D 80,00	E 170,00	EB 160,00	EG 56,00	F 22,00	G 71,00	GD 14,00	H 315,00
HA 45,00	HB 430,00	HD 861,00	K 28,00	L 1.333,00	LA 22,00	LB 1.163,00	M 600,00	N 550,00	P 660,00	S 24,00	T 6,00	TB 420,00	TL 299,00		