

Installation guide

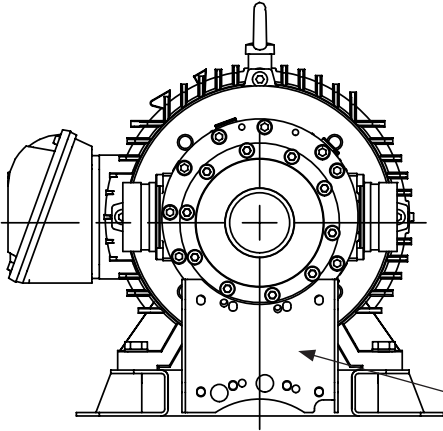
Support Plate Kit

for horizontal replacement of iSave 21 with iSave 21 Plus

180RXXXX

180RXXXX

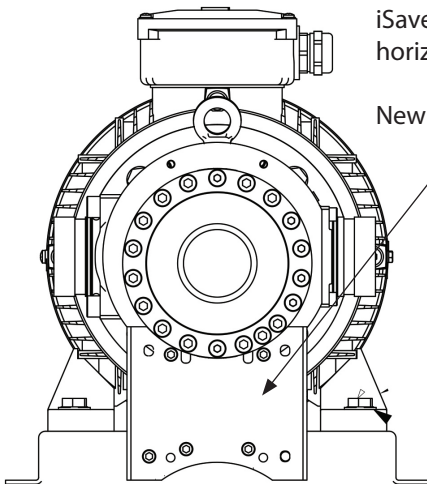
If replacing iSave 21 on a standard horizontal base plate with the iSave 21 Plus and using the existing base plate - a new Support Plate Kit is required.



iSave 21 mounted on a standard horizontal base plate.

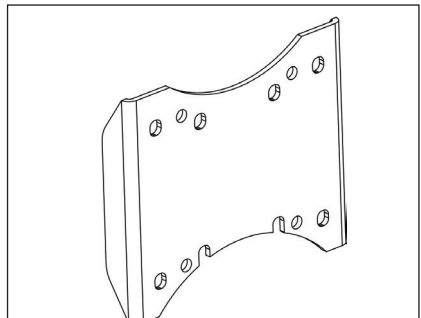
Old support plate

Replacement with an iSave 21 Plus using the existing base plate requires a new Support Plate Kit **180Z4062**.



iSave 21 Plus mounted on a standard horizontal base plate.

New Support plate



New Support Plate Kit **180Z4062** to be ordered.