

Installation guide

Shut-off valve and Strainer

SVA-HS, SVA-ST 200, SVA-X1 200, SVA-DH 250-300, SVA-DL 250-300, FIA 200-300



148R9538

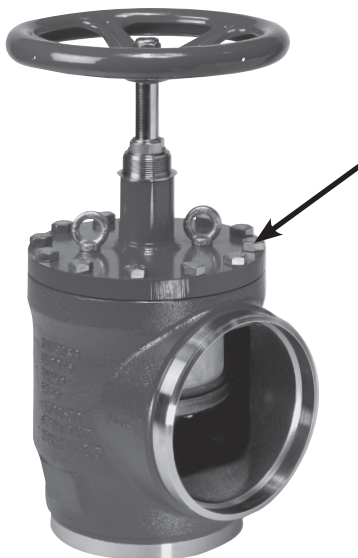
**PLEASE NOTE!**

To protect the top gasket the bolts are not tightened to the full torque from factory.

A new gasket has been inserted after pressure testing in the factory and the bolts are only partly tightened.

No matter which method of mounting is used the bolts **must** be retightened to the full torque indicated in the instruction before plant pressure test or commissioning.

148R9538

**BEMÆRK!**

For at beskytte top pakningen er boltene ikke tilspændt med det endelige moment fra fabrikken.

Efter trykprøvning i fabrikken er en ny pakning isat og boltene kun delvist spændt.

Uanset monteringsmetode **skal** boltene spændes til det i instruktionen angivne moment inden trykprøvning eller ibrugtagning af anlægget.

Info for UK customers only : Danfoss Ltd., 22 Wycombe End, HP9 1NB, GB

Danfoss A/S

Climate Solutions • danfoss.com • +45 7488 2222

Any information, including, but not limited to information on selection of product, its application or use, product design, weight, dimensions, capacity or any other technical data in product manuals, catalogues descriptions, advertisements, etc. and whether made available in writing, orally, electronically, online or via download, shall be considered informative, and is only binding if and to the extent, explicit reference is made in a quotation or order confirmation. Danfoss cannot accept any responsibility for possible errors in catalogues, brochures, videos and other material. Danfoss reserves the right to alter its products without notice. This also applies to products ordered but not delivered provided that such alterations can be made without changes to form, fit or function of the product.

All trademarks in this material are property of Danfoss A/S or Danfoss group companies. Danfoss and the Danfoss logo are trademarks of Danfoss A/S. All rights reserved.