



Valve

VDH 2/2-way Directional Control Valves

VDH For inline mounting and Cetop 3 flange mounting (ISO 4401)

Description

The VDH directional control valves are designed for applications with tap water, i.e. without additives (EU-Directive 98/83/EC). The directional valves are used to control water flow direction.

Features & benefits

- Corrosion resistant surfaces
- Easy to clean surfaces
- The seat valve design ensures zero leakage
- High degree of protection, IP 67
- Cetop valve installable on all cetop 3 blocks

Function

The directional valves are pilot operated On/Off 2/2-way seat valves electrically activated by 1 coil.

Filtration

The water supplied to the valve must be filtered: 10 µm absolute, β10-value > 5000 filter is recommended. For further information on filters, please contact the Danfoss sales department for High Pressure Pumps.

Versions Inline versions:

- VDH 30 E 2/2
- VDH 60E 2/2
- VDH 120 E 2/2

Cetop 3 block version:

- VDH 30 EC 2/2

The valve housing comes in standard version in stainless steel AISI 304 (W.no. 1.4301). The valve is available as a normally closed valve (NC) or as a normally open valve (NO). On request the valve housing is obtainable in stainless steel AISI 316L (W.no. 1.4401), please contact the Danfoss Sales Organization for High Pressure Pumps.

Note: If the recommendations in the manual are not followed, Danfoss reserves the right to void the warranty.

Ordering

Product code numbers

Type	Description	Code number	Flow [l/min] [Max]	Flow [l/min] [Min]
VDH 2/2	VDH 120 E 2/2 NC WITHOUT COIL	180L0001	120.00	5.00
VDH 2/2	VDH30E 2/2 NC	180L0002	30.00	1.00
VDH 2/2	VDH30E 2/2 NO	180L0003	30.00	1.00
VDH 2/2	VDH120E2/2 NO G1/2	180L0005	120.00	5.00
VDH 2/2	VDH60E 2/2 NC WIITHOUT COIL - G1/2	180L0011	60.00	1.00
VDH 2/2	VDH60E2/2 NO G1/2	180L0015	60.00	1.00
VDH 2/2	VDH30EC 2/2 NC VALVE	180L0048	30.00	1.00
VDH 2/2	VDH30EC 2/2 NO	180L0049	30.00	1.00

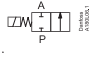
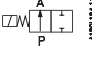
2/2-way directional control valves, type VDH 30 E

Pressure loss at max. flow: 6 barg (87 psig)

Max. opening/closing time: 150 ms/350 ms

Leakage at pressure higher tha 10 barg (145 psig): 0 ml/min (0 GPM) drip proof

Degree of protection: IP 67

Type	Function symbol	Code number	Connection	Max. inlet pressure cont. barg (psig)	Max inlet pressure peak barg (psig)	Operation pressure ¹⁾ barg (psig)	Max. flow l/min (GPM)	Min. flow l/min (GPM)	Weight incl. coil kg (lb)
VDH 30 E 2/2 NC		180L0002	G 3/8 "	140 (2.030)	200 (2,900)	3.5 (50.7)	30 (7.9)	1 (0.3)	1.6 (3.8)
VDH 30 E 2/2 NO		180L0003	G 3/8 "	140 (2.030)	170 (2,465)	3.5 (50.7)	30 (7.9)	1 (0.3)	1.6 (3.8)

¹⁾ The pressure in port P must always be higher than the pressure in port A (Pp>Pa)

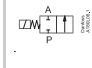
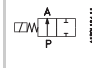
2/2-way directional control valves, type VDH 30 EC

Pressure loss at max. flow: 7 barg (101.5 psig)

Max. opening/closing time: 150 ms/350 ms

Leakage at pressure higher than 10 barg (145 psig): 0 ml/min (0 GPM) drip proof

Degree of protection: IP 67

Type	Function symbol	Code number	Connection	Max. inlet pressure cont. barg (psig)	Max inlet pressure peak barg (psig)	Operation pressure 1) barg (psig)	Max. flow l/min (GPM)	Min. flow l/min (GPM)	Weight incl. coil kg (lb)
VDH 30 EC2/2 NC		180L0048	Cetop 3	140 (2.030)	200 (2,900)	3.5 (50.7)	30 (7.9)	1 (0.3)	1.2 (2.1)
VDH 30 EC 2/2 NO		180L0049	Cetop 3	140 (2.030)	170 (2,465)	3.5 (50.7)	30 (7.9)	1 (0.3)	1.2 (2.1)

¹⁾ The pressure in port P must always be higher than the pressur in port A (Pp>Pa) VDH 30EC 2/2-way valves are supplied with screws and O-rings.

2/2-way directional control valves, type VDH 60 E

Pressure loss at max. flow: 8 barg (116 psig)

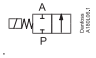
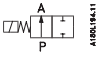
Max. opening/closing time: 150 ms/350 ms

Leakage at pressure higher tha 10 barg (145 psig): 0 ml/min (0 GPM) drip proof

Degree of protection: IP 67

Type	Function symbol	Code number	Connection	Max. inlet pressure cont. barg (psig)	Max inlet pressure peak barg (psig)	Operation pressure 1) barg (psig)	Max. flow l/min (GPM)	Min. flow l/min (GPM)	Weight incl. coil kg (lb)
------	-----------------	-------------	------------	---------------------------------------	-------------------------------------	-----------------------------------	-----------------------	-----------------------	---------------------------



VDH 60 E 2/2 NC		180L0011	G 1/2"	140 (2.030)	200 (2,900)	3.5 (50.7)	60 (15.8)	1 (0.3)	1.6 (3.8)
VDH 60 E 2/2 NO		180L0015	G 1/2"	140 (2.030)	170 (2,465)	3.5 (50.7)	60 (15.8)	1 (0.3)	1.6 (3.8)

¹⁾ The pressure in port P must always be higher than the pressure in port A (Pp>Pa)

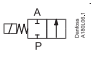
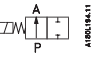
2/2-way directional control valves, type VDH 120 E

Pressure loss at max. flow: 6 barg (87 psig)

Max. opening/closing time: 150 ms/400 ms

Leakage at pressure higher than 10 barg (145 psig): 0 ml/min (0 GPM) drip proof

Degree of protection: IP 67

Type	Function symbol	Code number	Connection	Max. inlet pressure cont. barg (psig)	Max inlet pressure peak barg (psig)	Operation pressure 1) barg (psig)	Max. flow l/min (GPM)	Min. flow l/min (GPM)	Weight incl. coil kg (lb)
VDH 120 E 2/2 NC		180L0001	G 1/2"	140 (2.030)	200 (2,900)	1 (14.5)	120 (31.6)	5 (1.5)	1.8 (3.9)
VDH 120 E 2/2 NO		180L0005	G 1/2"	140 (2.030)	170 (2,465)	1 (14.5)	120 (31.6)	5 (1.5)	1.8 (3.9)

¹⁾ The pressure in port P must always be higher than the pressure in port A ($P_p > P_a$)

All valves are supplied without coils which must be ordered separately.

Code numbers for CETOP block

Cetop 3 block	Steel type	Weight kg (lb)	Code number
Block for Cetop 2 valves	AISI 304	1.8 (3.9)	180L0062
Block for Cetop 3 valves	AISI 304	2.6 (5.7)	180L0063
Block for Cetop 4 valves	AISI 304	3.4 (7.5)	180L0064

Code numbers for Coils

Coil voltage	Code number
Coil 24V-50Hz-12W-IP 67	018F7920
Coil 220-230V-50Hz-12W-IP 67	018F7921
Coil 240V-50Hz-11W-IP 67	018F7924
Coil 24V-60Hz-14W-IP 67	018F7922
Coil 220V-60Hz-13W-IP 67	018F7925
Coil 240V-60Hz-15W-IP 67	018F7926
Coil 110V-50-60 Hz-15/13W-IP 67	018F7923
Coil 12V -DC-16W-IP 67	018F7913
Coil 24V-DC-16W-IP67	018F7914

ATEX - please consult the Danfoss sales organization for High Pressure Pumps.

Overview

Product portfolio

VDH valve selection overview

E	Straight flow direction
EC	Cetop 3 manifolded

Temperature

Operation on (clean) water:

Fluid temperature and ambient temperature: 3 °C – 50 °C.

Operation on water containing antifreeze:

Fluid temperature and ambient temperature: -30 °C – 50 °C¹⁾.

Storage temperature: -40 °C – 70 °C

provided that the valve is drained of fluid and stored "plugged".

Antifreeze protection¹⁾

If a system requires antifreeze protection, Danfoss recommends Dowcall N or Chill safe mono propylene glycol from the Dow Chemical Company and Arco Chemical Company, respectively.

Both antifreezes are biologically degradable and must be used together with demineralized water.

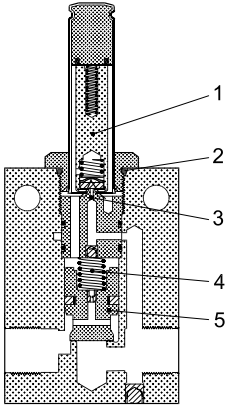
Mixing ratio must be:

- Min. 30% antifreeze and 70% demineralize water providing frost protection to -13 °C and preventing biofilm in the system.
- Max. 50% antifreeze and 50% demineralize water due to increased viscosity, providing frost protection to -30 °C.

Product details

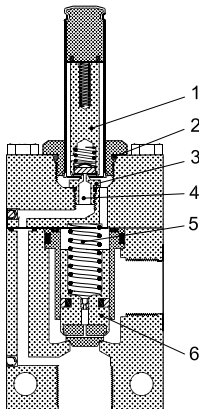
Design

Cross-section of valves VDH 30 E 2/2 and VDH 60 E 2/2



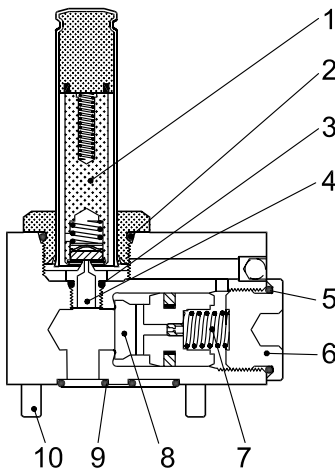
1.	Armature
2.	O-ring
3.	Orifice
4.	Spring
5.	Poppet

VDH 120 E 2/2



1.	Armature
2.	O-ring
3.	O-ring
4.	Orifice
5.	Spring
6.	Poppet

VDH 30 E C 2/2 (Cetop)

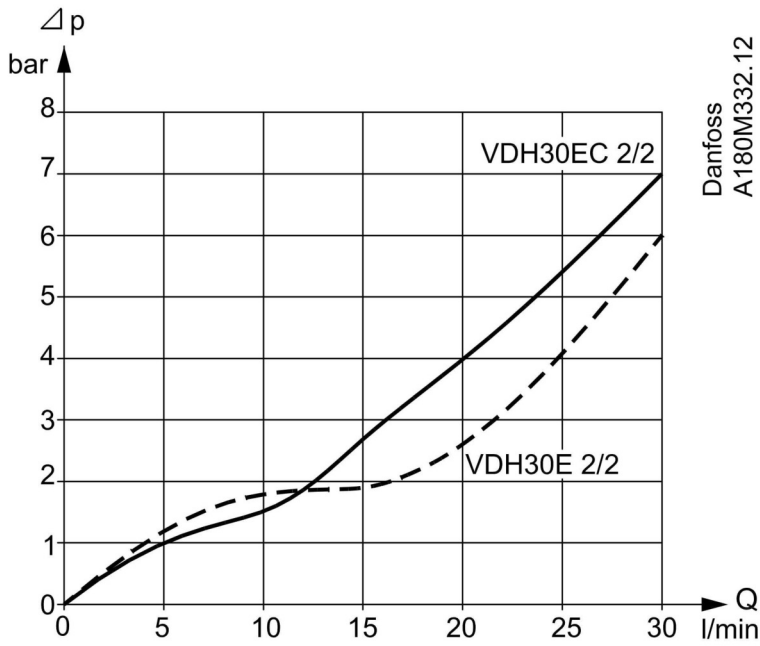


1.	Armature
2.	O-ring
3.	O-ring
4.	Orifice
5.	O-ring
6.	Plug
7.	Spring
8.	Poppet
9.	O-ring
10.	Screw

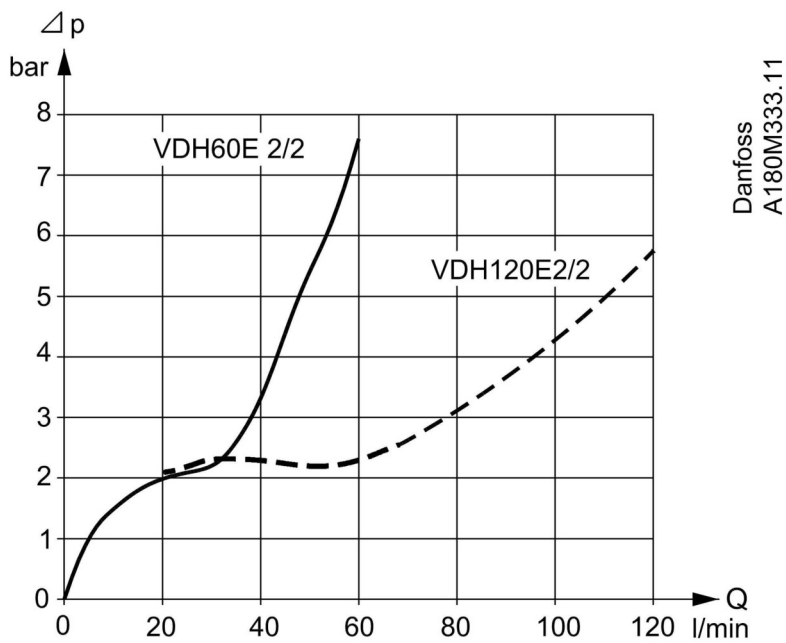
Pressure and temperature data

Pressure losses at different flows

VDH 30 E 2/2 and VDH 30 EC 2/2

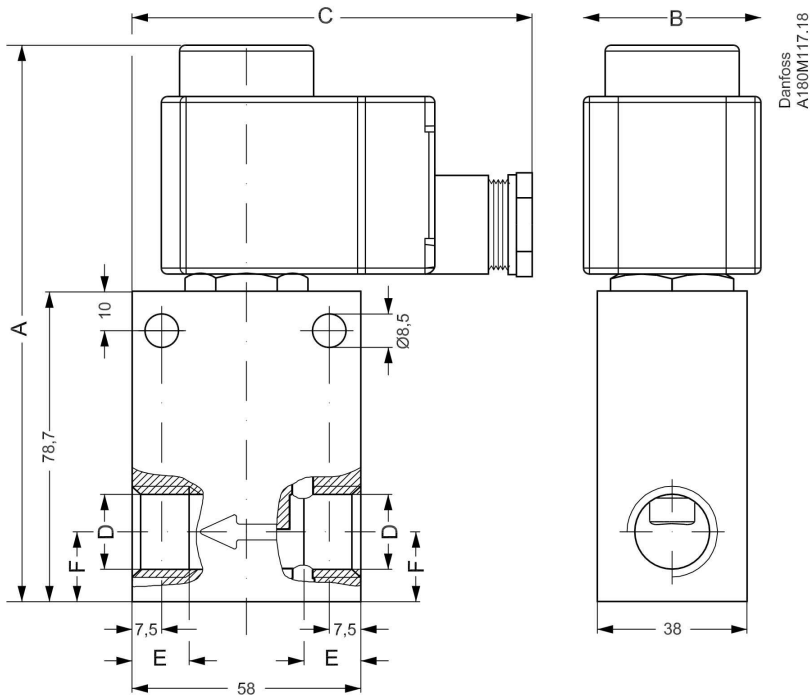


VDH 60 E 2/2 and VDH 120 E 2/2



Dimensions

VDH 30 E 2/2 and VDH 60 E 2/2

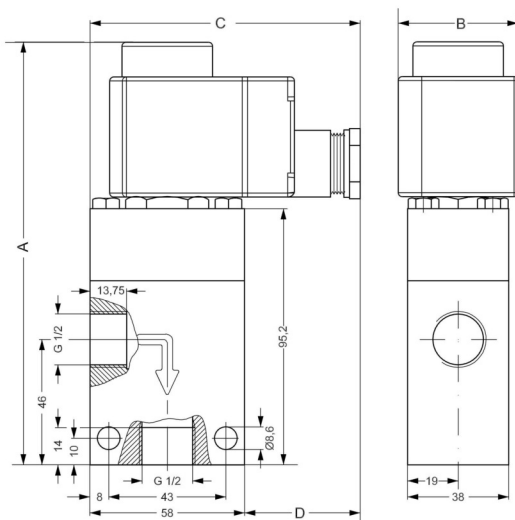


All dimensions in mm

Type	D	E	F
VDH 30	G 3/8	12	17.7
VDH 60	G 1/2	14	18.7

Type	A	B	C
NO+NC	142	46	101
EEX	142	68	124

VDH 120 E 2/2

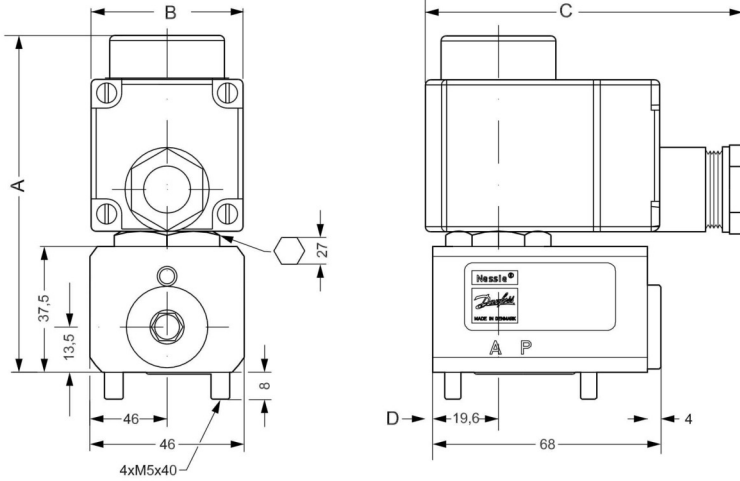
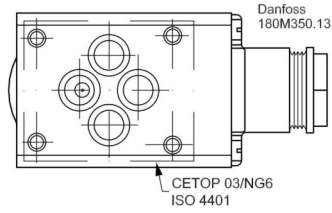


All dimensions in mm

Type	A	B	C	D
NO+NC	159	46	101	43
EEX	159	68	124	66

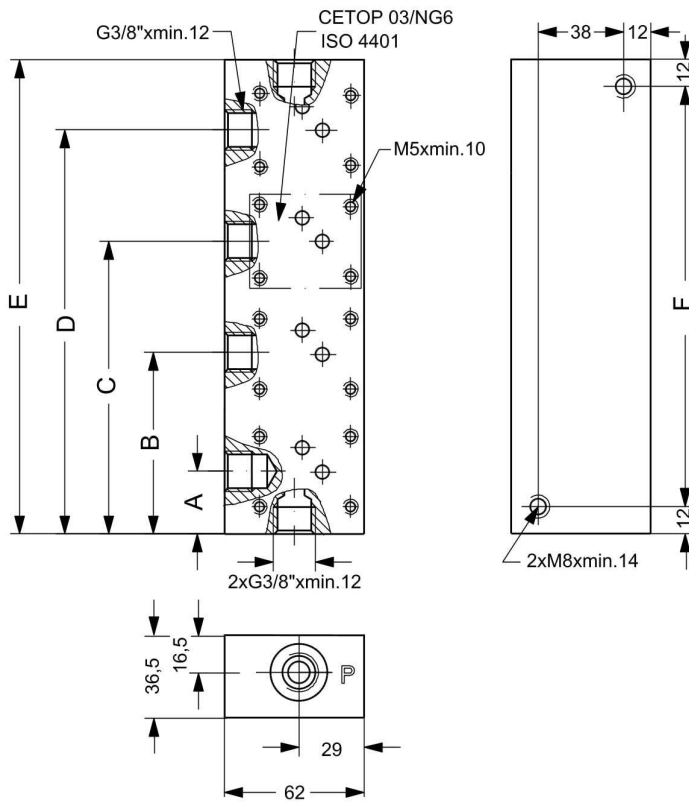
VDH 30 EC 2/2 (Cetop)

	A	B	C	D
NO+NC	101	46	94	3
EEX	101	68	125	11



All dimensions in mm

Cetop blocks



All dimensions in mm

Type	A	B	C	D	E	F
Block for 2 valves	30	80	-	-	110	86
Block for 3 valves	30	80	130	-	160	136
Block for 4 valves	30	80	130	180	210	186

Installation

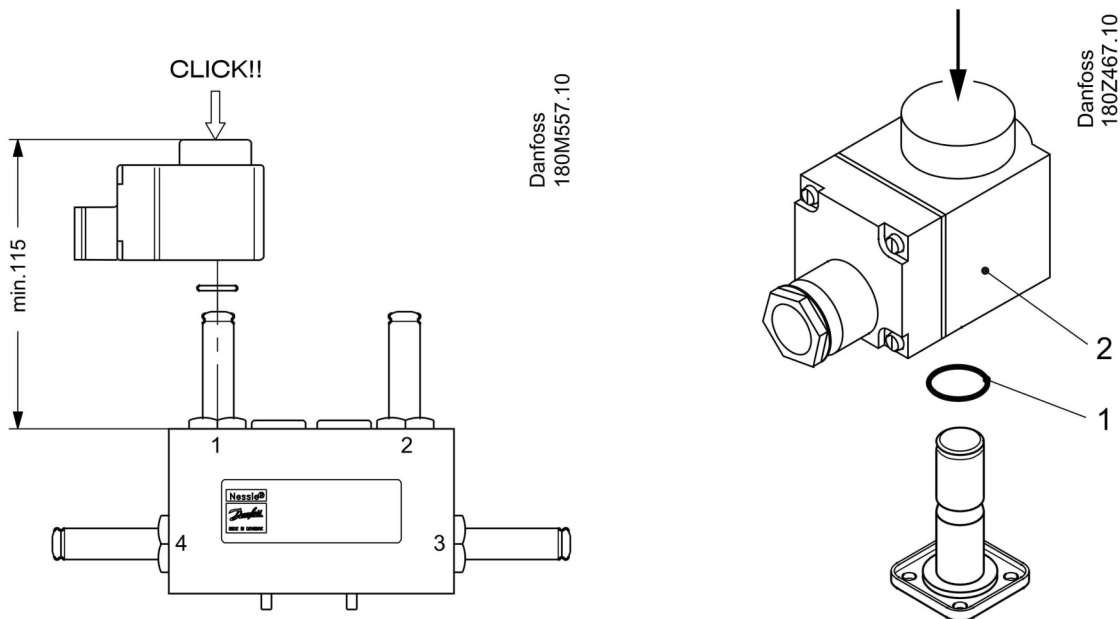
Mounting of in-line valves

In-line valves are mounted in line in flow direction (follow the arrow on the valve) and fixed either directly in the pipe connections or with bolts in the fixation holes on the valve.

Mounting of valve on Cetop block

The valve is designed to be mounted on a block with CETOP 3-port connection. Four stainless steel screws and four O-rings are supplied with the valve for mounting. Remember to smear/spray the threads on the screws with Molykote® D pasta from Dow Corning, or Klüber UH1 84-201 from Klüber lubrication, before mounting the valve.

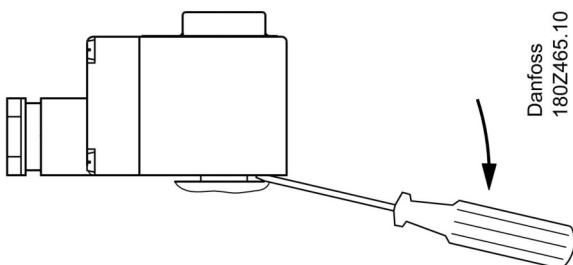
Mounting of coil on valve



Coil on valves with short armature tubes (NC and NO valves)

1. Place the o-ring on the armature tube.
2. The coil is clicked on by means of a light pressure by hand – without using tools.

Dismounting of coil



Accessories

Spare parts	Code number
Poppet kit for VDH 30E 2/2, VDH 30 EC2/2 and 2/2 VDH 60E 2/2	180L5005
Poppet kit for VDH120E 2/2 (pos. 6)	180L5001
Armature kit, NC (pos. 1)	180L5002
Armature kit, NO (pos. 1)	180L5010
Orifice kit VDH 30 E 2/2	180Z0099
Orifice kit VDH 60 E 2/2	180Z0099
Orifice kit VDH 120 E 2/2	180Z0098

Tools	Application	Code number
Special tool for orifice insert	Mounting/dismounting of orifice Orifice insert in valve housing: 12 Nm \pm 2 Nm Armature to be screwed into the valve housing: 60 Nm \pm 2 Nm	180Z0034
Spool tool included in 180L5005	Mounting of spool	
Permanent magnet	For manual activation of valve	180Z0212

Certificates, declarations and approvals

The list contains all certificates, declarations, and approvals for this product type. Individual code number may have some or all of these approvals, and certain local approvals may not appear on the list.

When you click on the link you will be directed to the latest version of the 'Declaration of Conformity'. Products developed and sold before this date of issue conform to the directives/standards in force at the time of their sale.

Approval type	Title	Certification body	Approval topic
Manufacturer's Declaration	Danfoss MD 180R8303.AA	Danfoss	China RoHS
Manufacturer's Declaration	Danfoss MD 180R8305.AE	Danfoss	Pressure
Mechanical Safety Certificate	UL MH7648	UL - Underwriters Laboratories inc.	
EU Declaration	Danfoss EU 033F0688.AK	Danfoss	LVD
Export Control Declaration	Valves	Danfoss	

Contact details

Online support

Danfoss offers a wide range of support along with our products, including digital information, software, mobile apps and expert guidance. See the possibilities below.



The Danfoss Design center

Discover the Design Center, our advanced digital platform that streamlines product selection. With integrated tools and enhanced type pages, it's simpler than ever to access product information and documentation, and to select the right products. Check the availability of Danfoss products at partner locations and enjoy seamless transitions from selection to purchase with our basket-to-basket functionality. Whether you're buying from our distributors or directly from the Product Store, the Design Center simplifies your experience. Learn more at: designcenter.danfoss.com.



The Danfoss product store

The Danfoss Product Store is a one-stop shop available 24/7 for our customers, no matter where you are in the world or what area of industry you work in. Browse our catalog, check product details and documentation, view your prices and product availability, and quickly finalize your purchase. Start browsing at: store.danfoss.com.



Danfoss Partner Portal/Product Data tool

Designed to support you with easy access to product data extracts, essential resources, tools, and information. The Partner Portal provides a centralized hub for product documentation, training materials, marketing assets, and technical support, ensuring you have everything you need to succeed and grow your business with Danfoss. The Partner Portal is available 24/7 at: partner.danfoss.com and is ready to support your business.



Find technical documentation

Find technical documentation you need to get your project up running. Get direct access to our official collection of data sheets, certificates and declarations, manuals and guides, 3D models and drawings, case stories, brochures, and much more. Start searching now at: documentation.danfoss.com.



Danfoss Learning

Danfoss Learning is a free online learning platform. It features courses and materials specifically designed to help engineers, installers, service technicians, and wholesalers better understand the products, applications industry topics, and trends that will help you do your job better. Find your local Danfoss website here: learning.danfoss.com.



Get local information and support

Local Danfoss websites are the main sources for help and information about our company and products. Find product availability, get the latest regional news, or connect with a nearby expert - all in your own language. Find your local Danfoss website here: danfoss.com.

Danfoss A/S

Climate Solutions . danfoss.com . +45 7488 2222

Any information, including, but not limited to information on selection of product, its application or use, product design, weight, dimensions, capacity or any other technical data in product manuals, catalogues description, advertisements, etc. and whether made available in writing, orally, electronically, online or via download, shall be considered informative, and is only binding if and to the extent, explicit reference is made in a quotation or order confirmation. Danfoss cannot accept any responsibility for possible errors in catalogues, brochures, videos and other material. Danfoss reserves the right to alter its products without notice. This also applies to products ordered but not delivered provided that such alterations can be made without changes to form, fit or function of the products. All trademarks in this material are property of Danfoss A/S or Danfoss group companies. Danfoss and the Danfoss logo are trademarks of Danfoss A/S. All rights reserved.
